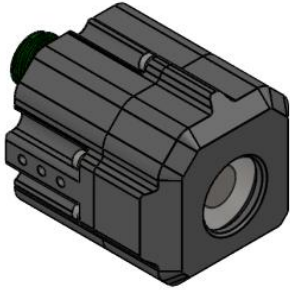


xEYE-D

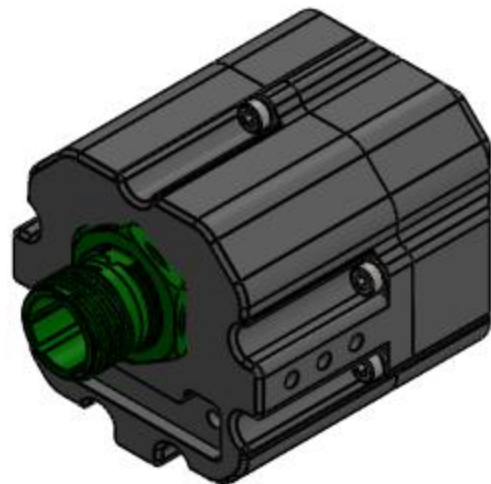
MICRO RUGGED FULL HD DAY NIGHT CAMERA WITH ETHERNET & ANALOG INTERFACE



Imaging Sensor	1/2.8" Sony IMX 327 2.16MP WDR Progressive Scan CMOS
Min. Illumination	Color: 0.05 Lux @ F1.4 B/W: 0.02 Lux @ F1.4, 0Lux with IR
Auto Iris	Standard DC-iris interface, compatible with ODM P-iris
Day & Night Mode	Auto/ Manual
WDR	Auto / Manual
DNR	Auto / Manual
Electronic Shutter Speed	1/10000s to 1/25s
Video Compression	H.264 / H.265 / MJPEG
H.264 Encoding level	H.264 BP/MP/HP
Max.Resolution	FullHD 1920x1080 pixels
Frame Rate	25/30fps
Multi Stream	FULL HD + Full D1 + CVBS
Supported Protocols	RTSP H.265/H.264
Compatible Protocols	ONVIF

D38999/24WB35PN Pin Layout:

PIN#	Function
1	+12VDC
2	GND
3	Eth TX-P
4	Eth TX-N
5	Eth RX-P
8	NC
9	NC
10	NC
11	ETH RX-N
12	Composite Video Signal
13	Composite Video GND



xEYE-D

MICRO RUGGED FULL HD DAY NIGHT CAMERA WITH ETHERNET & ANALOG INTERFACE

Video Output	CVBS Composite Video + Ethernet (Web+RTSP) H.265/H.264
Power Consumption	<2.1W MAX
Voltage	12V DC±10%
ICR	*-ICR: IR-Cut dual optical filter switching mechanism, without lens mount (suitable for bullet cameras) *-ICR/M12: IR-Cut with M12 lens mount *-ICR/CS: IR-Cut with CS lens mount *Default without IR-Cut
Lens	4mm DC DRIVE M-12
Connector	D38999/24WB35PN
Optional Bracket:	Universal ball adapter support Part#:RAP-B-202U-GOP1

