

SA360

360 Deg Situational Awareness

FUSION 360 is a Multi Sensor Situational Awareness System. It integrates 12 sensors (6 Day and 6 LWIR) which provide a real time 360° panoramic view.

Panoramic imagery coupled with intrusion detection and tracking allows enhanced perimeter security of vehicles, vessels, or any vulnerable sites.

The system embeds a hybrid video recorder which is compatible with analog and network IP sources, enables up to 6TB SSD Storage and remote web monitoring.



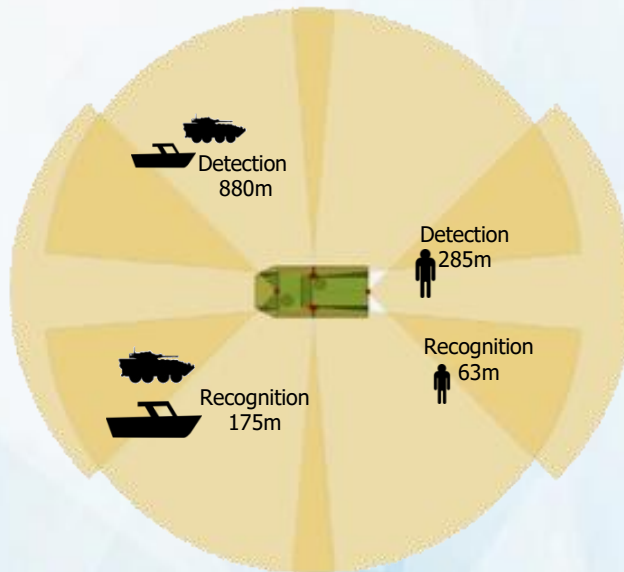
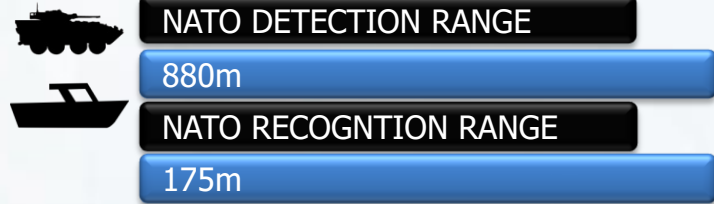
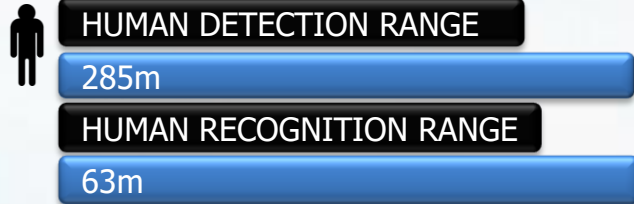
Germanium Window
Uncooled LWIR Sensor

1080p Starlight
FULL HD Day Sensor



SA360

IP67 Day & LWIR All Around Situational Awareness

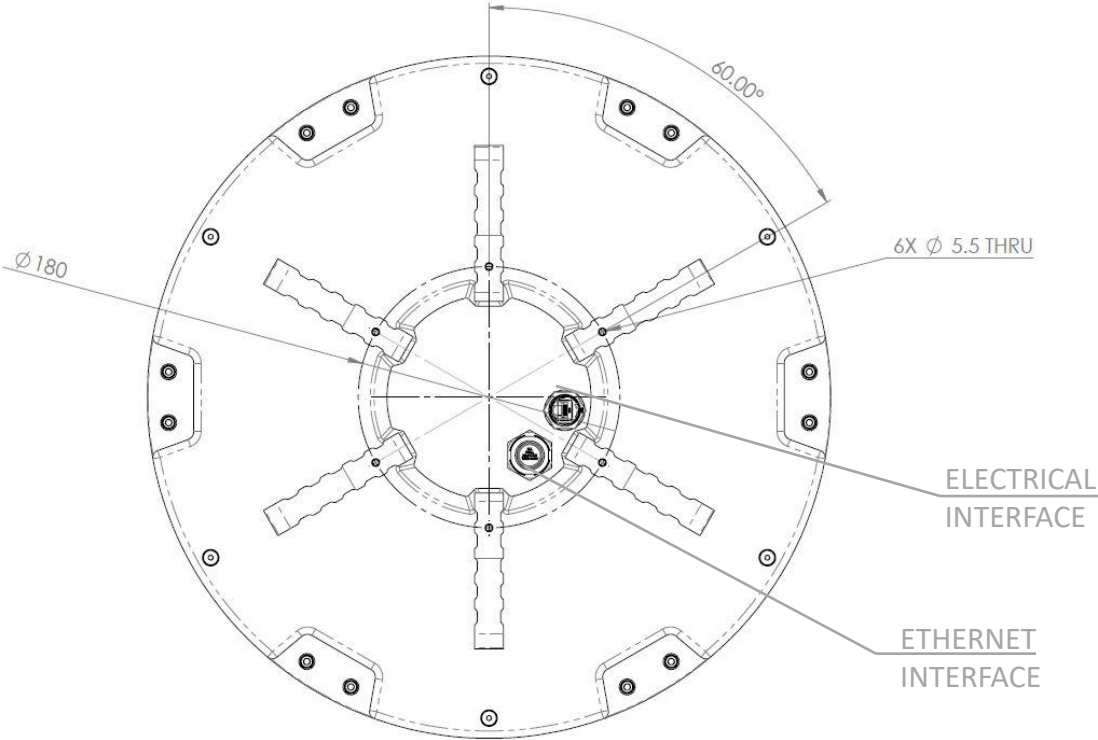


LWIR Sensor	<u>LWIR Imager</u>	Uncooled VOx Microbolometer
	<u>Resolution (Pixels)</u>	1280x1024 640x512
	<u>LWIR Lens</u>	5.8mm
	<u>Lens Focal Length</u>	69° x 56°
	<u>Spectral Band</u>	7.5 - 13.5 μm
	<u>Frame Rate</u>	30Hz
	<u>Sensitivity (NEdT)</u>	<50 mK at f/1.0
Day Sensor	<u>Lens Material</u>	Germanium
	<u>Resolution</u>	1920 x 1080, 30 fps
	<u>Lens</u>	Synchronized With LWIR FOV
	<u>Start up Time</u>	6 sec.
Sensors Quantity	<u>Lens Material</u>	SAPPHIRE
	Sensors Quantity	X6 Day, X6 LWIR
Interface	Ethernet (IP)	
Power	<u>Input</u>	8-32VDC
	<u>Heater operation</u>	Start: <15° C, Stop>20° C
Embedded Video Recording	<u>Storage</u>	Up to 6TB SSD
	<u>Video Monitoring</u>	Remote Monitoring via Web Interface / RTSP
Housing	<u>Material</u>	Anodized Aluminium
	<u>Connectors</u>	Hermetic Stainless Steel D38999
	<u>Operating Temp</u>	-40°C to +80°C
Environmental		
Certifications	<u>Protection Rate</u>	IP67

SA360

Dimensions, mm

Bottom View



Front View

