

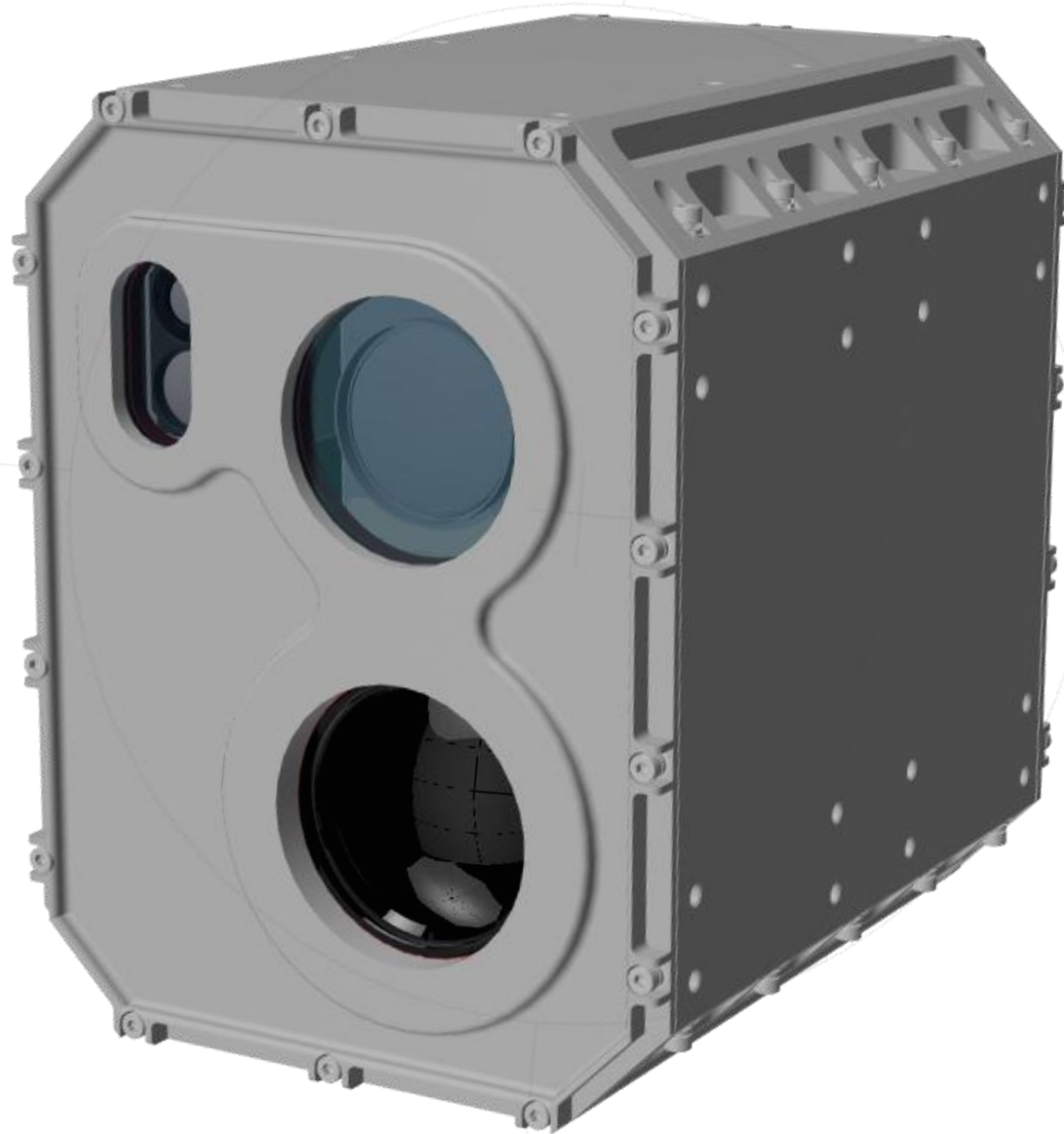


SIGHTLWIR

SIGHT-LWIR is our cutting edge LWIR weapon sight which was specially developed for remote control Weapon systems (RCWS).

SIGHT-LWIR allows precise hits due to its bore-sighted sensors and easy to use auto-tracking capabilities.

SIGHT-LWIR is equipped with high sensitivity uncooled detector, Global shutter x36 zoom FULL-HD day sensor and 8.6Km range Laser Range Finder.



LWIR WEAPON SIGHT SYSTEM

GLOBAL SHUTTER X36 DAY SENSOR

1/2.3" SONY GLOBAL SHUTTER IMX392LQR-C CMOS SENSOR, FULL-HD 1920x1080p, 6-216mm x36 ZOOM GLOBAL SHUTTER, SAPPHIRE WINDOW H.FOV 52.62° - 1.95°

SPARROW LWIR SENSOR

UNCOOLED LWIR 25-150mm x6 ZOOM NETD<50mK H. FOV 24.55°-4.15° SPECTRAL RESPONSE 8-14 μm

32km LRF (LASER RANGE FINDER)

EYE SAFE 8.6KM NATO TARGET, 0.5-0.01m PRECISION, 0.6MRAD BEAM DIVERGENCE 1m RESOLUTION, <30m TARGET DISCRIMINATION, ALIGNMENT POINTER, SAPPHIRE WINDOW

CONNECTION INTERFACE

HERMETIC Type C: D38999/23YE35PN, 2 x ANALOG VIDEO, RS-422 CONTROL INTERFACE, ETHERNET VIDEO & CONTROL

PSU (POWER SUPPLY UNIT)

18-32VDC 120W Max. MIL.STD1275, MIL.STD704, MIL.STD810G POWER STABILIZER

ENVIRONMENTAL

IP-67, NITROGEN PURGED, HERMETIC SEALED, ALUMINUM CHASSIS (6061) STAINLESS STEEL SCREWS (N316), GROUND PIN CONNECTOR, OPTIONAL SHOCK ABSORBERS

OPEN SOURCE API*

VIDEO CONTROL OPEN SOURCE API, PTZ TRACKING SAMPLE APP (C#.NET)

DIMENSIONS

(LxWxH, mm) 250x190x240mm, WEIGHT 9,000 g



SIGHTLWIR

EMBEDDED VIDEO TRACKER*

DUAL CHANNEL EMBEDDED VIDEO ANALYTICS TRACKER (NON NEURAL NETWORK) PTZ ETHERNET TELEMETRY INTERFACE CONNECTION

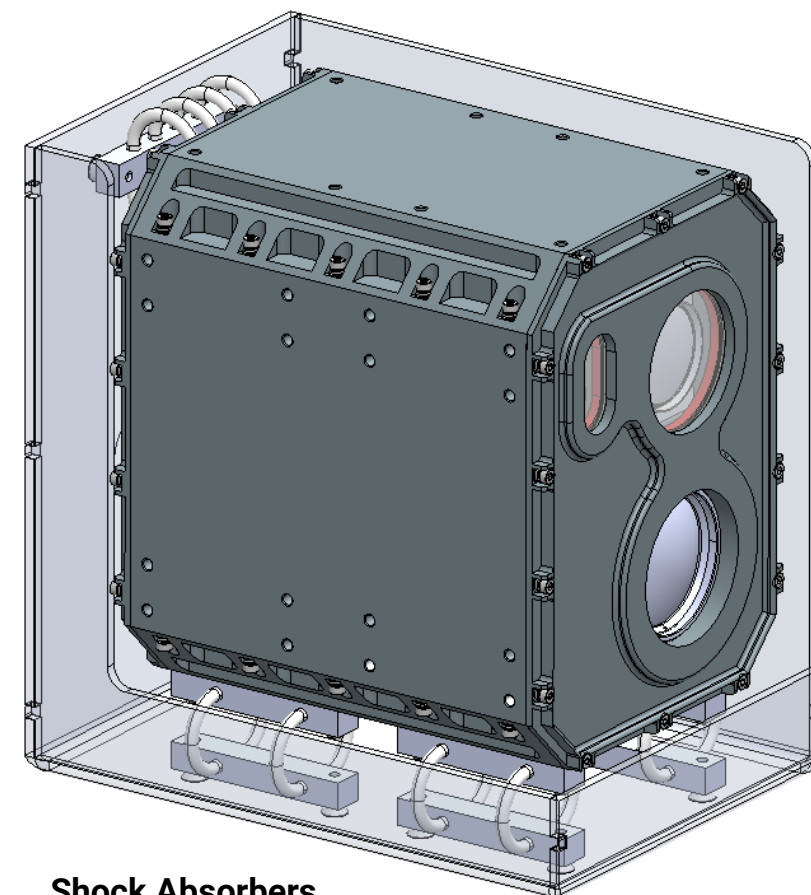
DIGITAL VIDEO STABILIZER*

DUAL CHANNEL DIGITAL VIDEO STABILIZER INCLUDING ROLL CORRECTION

***on digital versions only**

Shock Absorbers

SB8-190-04-A ISOLATOR



Shock Absorbers

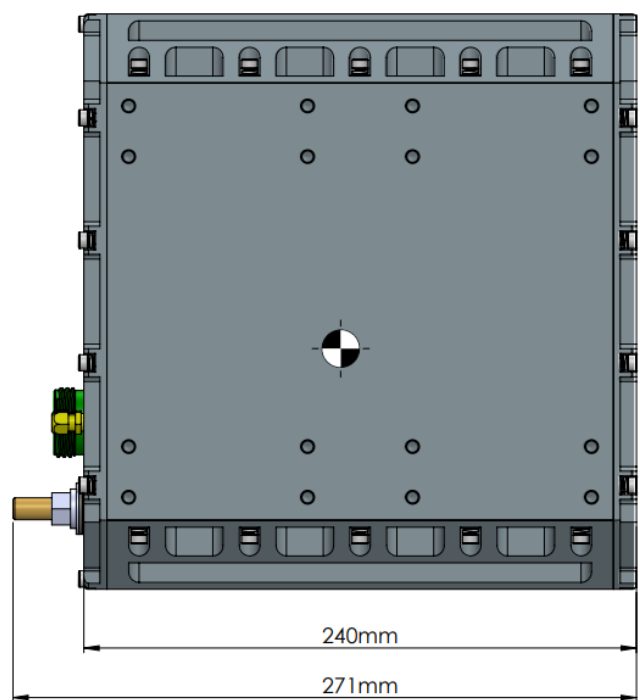
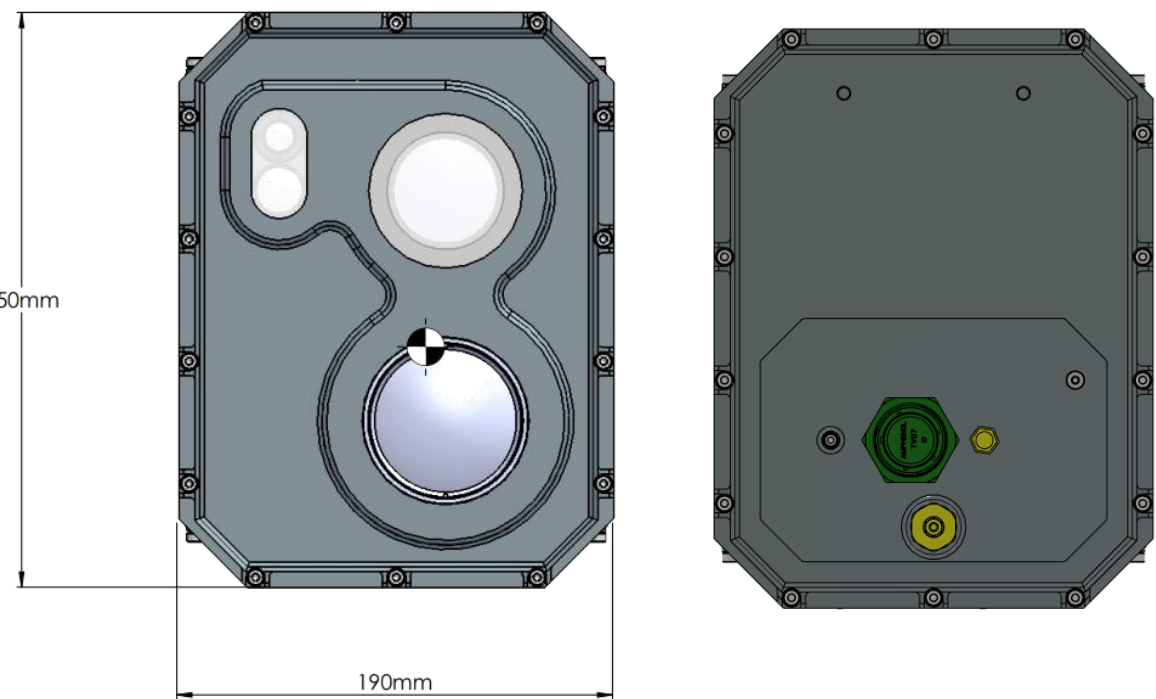
SB8-190-02-A ISOLATOR

SYSTEM OVERVIEW

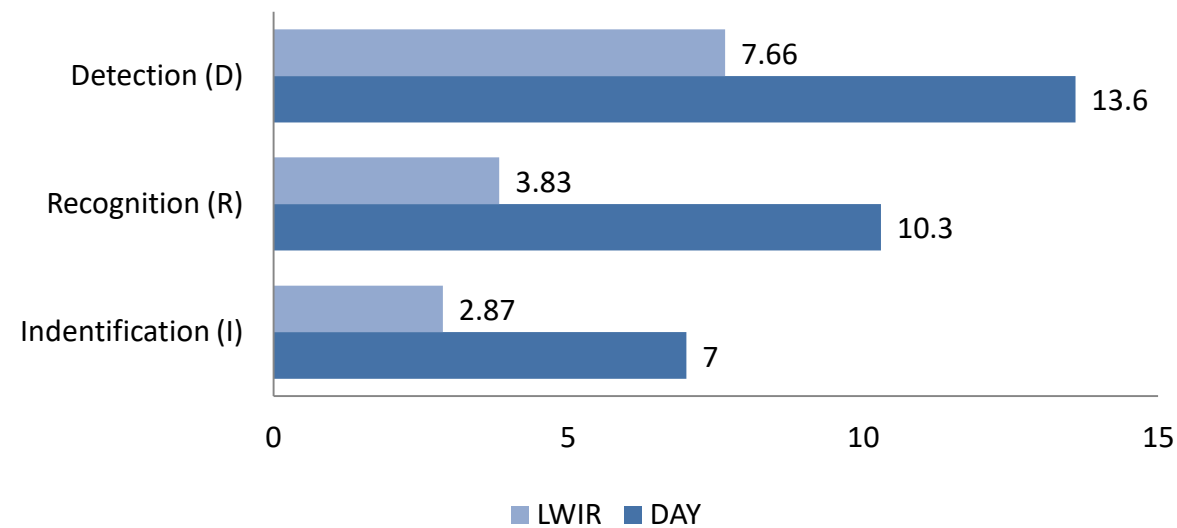
DIMENSIONS (mm)



SIGHTLWIR



DRI (Km)



SYSTEM OVERVIEW



SIGHTLWIR

PART Numbering Index

#	PART	DESCRIPTION
1	LRF & Window	Laser Range Finder SAPPHIRE Window
2	DAY Sensor & Window	Camera TV With Zoom SAPPHIRE Window
3	MWIR Sensor & Lens	Sparrow MWIR Sensor TEMMEK DOUBON 250 Lens



PART Numbering Index

#	P/N	DESCRIPTION
1	D38999/23YE35PN	Mil. Std Stainless Steel connector
2	MS3212-25	Nitrogen Screw
3	MS51377-2 MS51607-1 MS20813-1	Nitrogen Valve Core Nitrogen MS Valves Nitrogen Fitting
4	Grounding Kit Grdt 375	Ground Screw

