

SA180

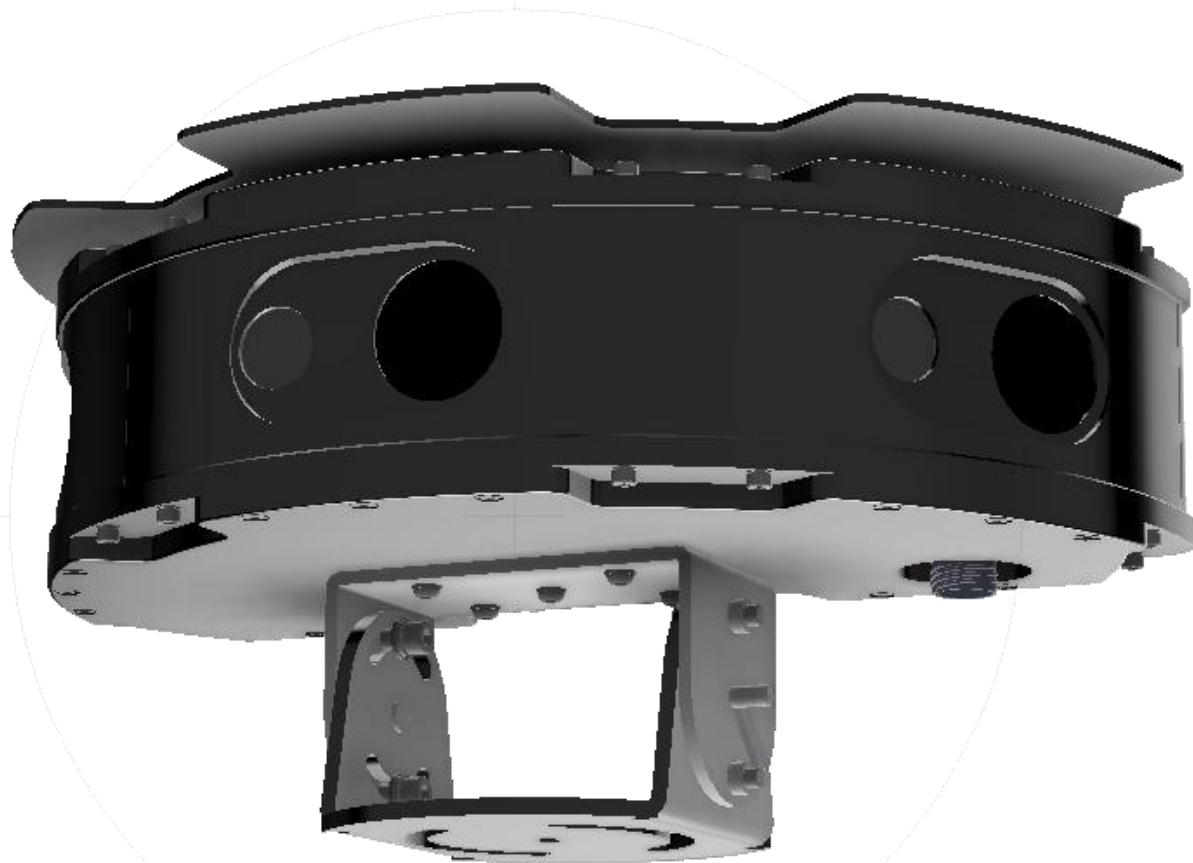
Rev. 161122
Date 16-11-2022

IP67 Day & LWIR 180 Deg. Situational Awareness

SA180 is a Multi Sensor Situational Awareness System. Integrating 3 sensors (3 Day, 3 LWIR) which provide a real time 180° panoramic view.

Panoramic imagery coupled with intrusion detection and tracking allows enhanced perimeter security of vehicles, vessels, or any vulnerable sites.

The system provides single Ethernet interface with daisy chain capability.



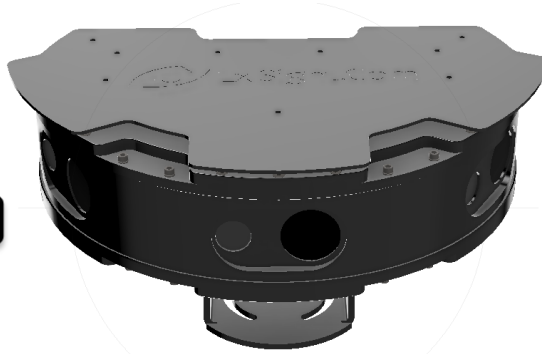
SA180

IP67 Day & LWIR All Around Situational Awareness



218m

HUMAN DETECTION RANGE



609m



NATO DETECTION RANGE

LWIR Sensor	LWIR Imager	Uncooled LWIR
	Resolution (Pixels)	1280x1024 640x512
	Lens Focal Length	69° x 56°
	Spectral Band	7.5 - 13.5 μm
	Frame Rate	30Hz
	Sensitivity (NE Δ T)	<50 mK at f/1.0
	Lens Material	Germanium
Day Sensor	Resolution	1920 x 1080, 30 fps
	Lens	Synchronized With LWIR FOV
	Start up Time	6 sec.
	Lens Material	SAPHIR
Sensors Quantity	X6 Day, X6 LWIR	
Interface	Ethernet (IP)	
Power	Input	8-32VDC
	Heater operation	Start: <15° C, Stop>20° C
Embedded Video Recording	Storage	Optional
	Video Monitoring	RTSP/Web/Application
Housing	Material	Hard Anodized Aluminium
	Connectors	D38999 Marine Bronze
Environmental	Operating Temp	-40°C to +80°C
	IP Rate	IP67 Housing, Nitrogen Purged

DIMENSIONS, mm

