

2026 PRODUCT CATALOG

INTEGRATED ELECTRO-OPTICS PLATFORMS



INTEGRATED ELECTRO-OPTICS PLATFORMS



ONESHOT

INTEGRATED ELECTRO-OPTICS PRODUCTS

Deep Sight Software

5

Advanced Integrated Electro Optic Development Platform

Situational Awareness

6

Rugged 360/180 Day & Night Electro-Optic Panoramic Staring System

Avigail-4K

10

Top-View 24/7 EO Payload

DEEPSIGHT

13

Integrated Electro-Optic Development Platform

DEEPSPHERE

26

Integrated Electro-Optic Development Gimbal

SPHERE-F

30

Dual Sensor Rugged Gimbal

HDPT

33

Heavy Duty Stabilized Pan Tilt Positioners

FUSION - OZ

43

Rugged Dual Sensor Driver Vision Enhancer (DVE)

xEye

50

Micro Rugged VIS/LWIR Single Sensor Driver Vision Enhancer (DVE)

AIxNPU

58

AI NPU Rugged Computing

microSensor

63

Rugged LWIR / Low Light Electro-Optic Sensor

DEEPSIGHT Software

Advanced Integrated Electro Optic Development Platform



- Generic Interface to Multi Sensor Electro Optic Platform
- Passive Thermal/Day Electro Optic RADAR
- Enhanced Digital Video Trackers / Classifiers / Detectors
- Pan, Tilt, Zoom, Day, Night, LRF Control
- Geo-Positioning with pre-loaded route tracking
- INS GPS TRUE NORTH Gyro Stabilization
- EIS - Electronic Stabilization
- Video Analysis, ATR, Detection, Tracking & Classification
- Fire Detection
- Integrated Tracker / Simulator / Trainer
- Mapping and FOV Zone view
- Recording & Logging
- Integration with external resources, Drones, Radars
- Open Source C# SDK/API

SITUATIONAL AWARENESS

Rugged Electro-Optic Panoramic Staring System for Naval and Ground Applications

See First. Act First.

- 360°/180° 8MP 4K Day (VIS) & HD Night Continuous Coverage
- AI-assisted Detection & Tracking
- Modular Integration for Manned & Unmanned Platforms
- Rugged Design, Hermetic Sealed IP-67, Nitrogen Purged
- 1Gbps Ethernet Interface, RTSP Streaming, Daisy Chain
- 12-40VDC Power Input

SITUATIONAL AWARENESS

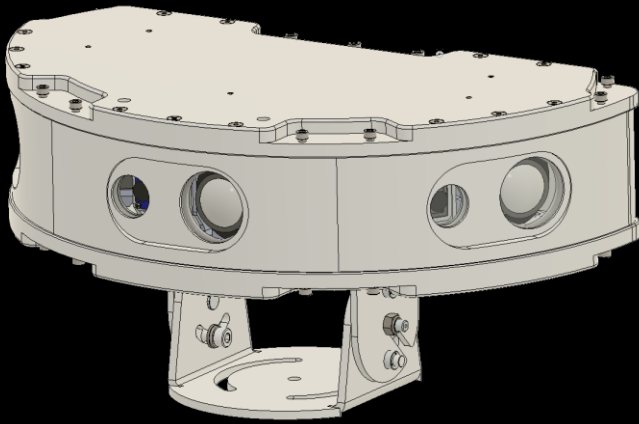
Rugged 360/180 Day & Night Electro-Optic
Panoramic Staring System



	SA360	SA180
LOW LIGHT VIS DAY	SIX (6) x 3840*2160/30fps SONY Super Starlight IMX678 8.0MP 4K 30 FPS SAPPHIRE Window	THREE (3) x 3840*2160/30fps SONY Super Starlight IMX678 8.0MP 4K 30 FPS SAPPHIRE Window
NIGHT LWIR	SIX (6) 1280x1024 or 640x512 12µm 30 FPS GE Window AR/DLC	THREE (3) 1280x1024 or 640x512 12µm 30 FPS GE Window AR/DLC
FOV	420° Deg. (H) 6 x 70° FOV (H) 420° (V) 46°	210° Deg. (H) 3 x 70° FOV (H) 210° (V) 46°
DETECTION (640x512) (1280x1024)	NATO/HUMAN 370m / 167m 830m / 375m	NATO/HUMAN 370m / 167m 830m / 375m
POWER	2A@24VDC (12-40VDC)	1A@24VDC (12-40VDC)
DIMENSIONS	470x470x185 mm	483x270x237 mm
ETHERNET	Embedded Industrial Gigabit Ethernet Switch	
PNL CONNECTOR	Hermetic Stainless Steel D38999/23YD35PN	
CABLE CONNECTOR	Hermetic Stainless Steel D38999/26KD35SN	
WEIGHT (Kg)	30 kg	16 kg
CHASSIS	RUGGED CNC Structure, Aluminum Chassis, ANTI SALT BLACK POWDER PAINT	
IP RATE	Sealed, IP67 Nitrogen Purged	

SITUATIONAL AWARENESS

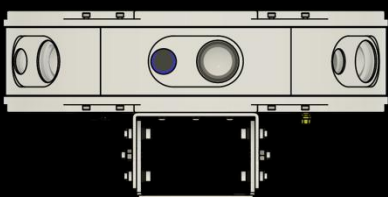
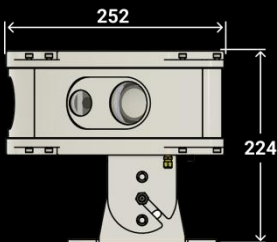
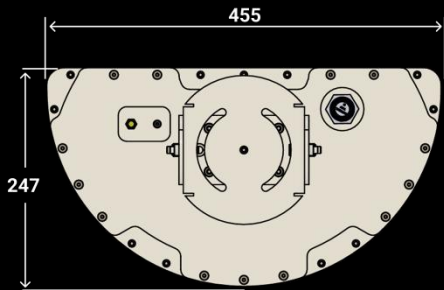
Flat vs. Compact design options



SA180 - Horizontal

Flat Horizontal, Side by Side

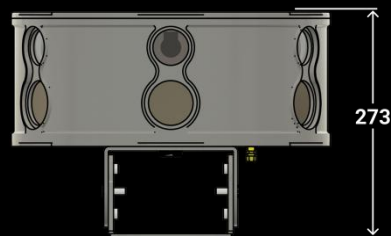
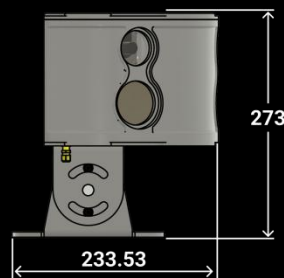
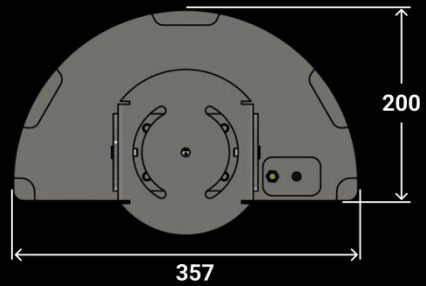
483x270x237 mm



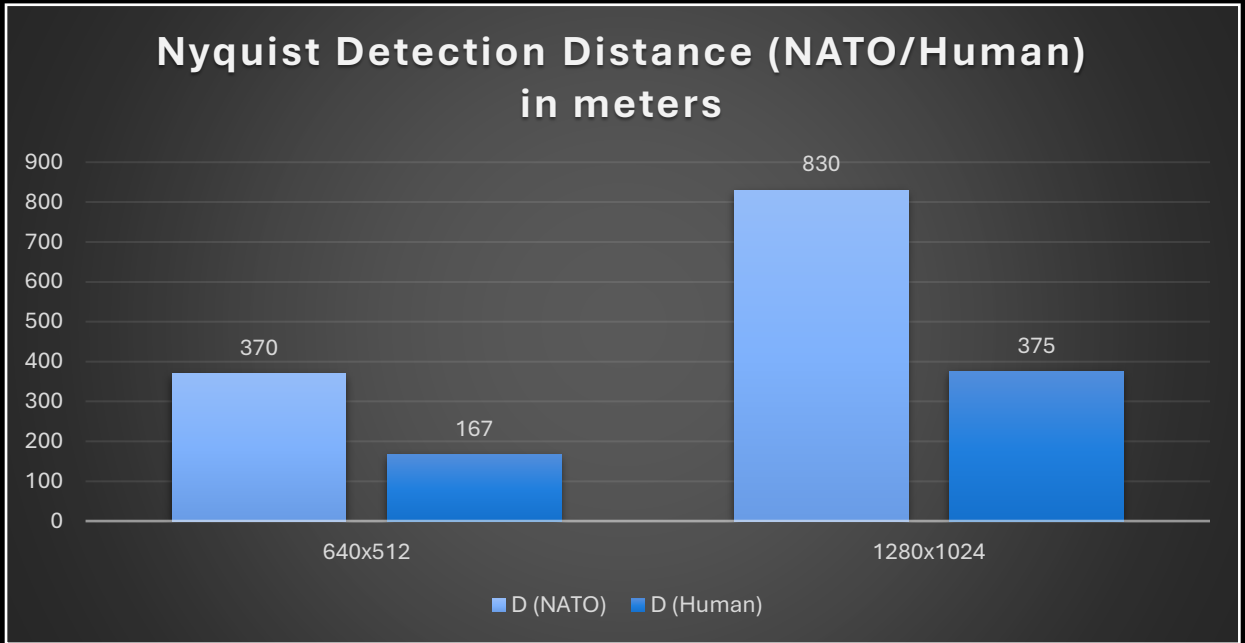
SA180V - Vertical

Compact Vertical Aligned

357x197x253 mm



SITUATIONAL AWARENESS



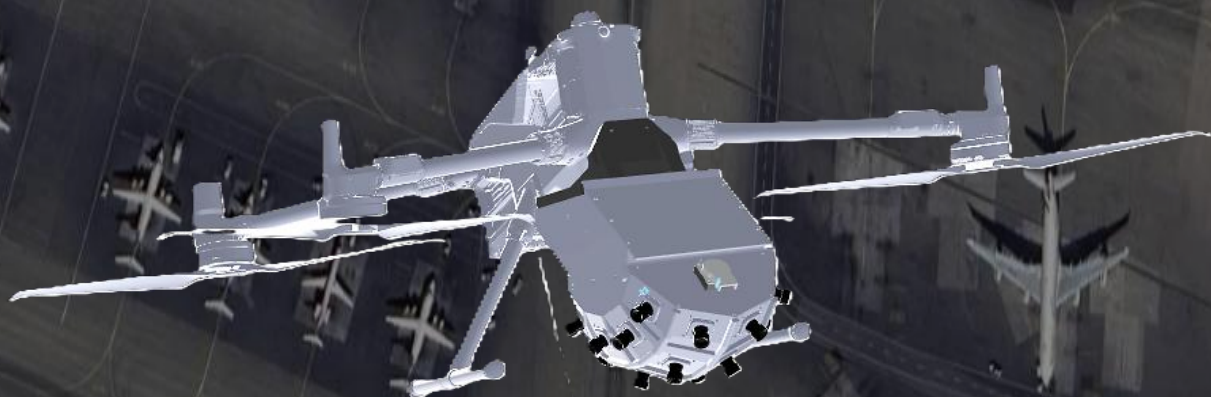
CABLE CONNECTOR PIN LAYOUT D38999/26KD35SN Stainless Steel Hermetic Connector

PIN	DESCRIPTION
1	Main ETH 1 (White Orange)
2	Main ETH 2 (Orange)
3	Main ETH 3 (White Green)
4	Main ETH 4 (Blue)
5	Main ETH 5 (White Blue)
6	Main ETH 6 (Green)
7	Main ETH 7 (White Brown)
8	Main ETH 8 (Brown)
9	NC
10	NC
11	12VDC
12	GND

PIN	DESCRIPTION
13	12VDC
14	GND
15	Backup ETH 1 (White Orange)
16	Backup ETH 2 (Orange)
17	Backup ETH 3 (White Green)
18	Backup ETH 4 (Blue)
19	Backup ETH 5 (White Blue)
20	Backup ETH 6 (Green)
21	Backup ETH 7 (White Brown)
22	Backup ETH 8 (Brown)
23-37	NC

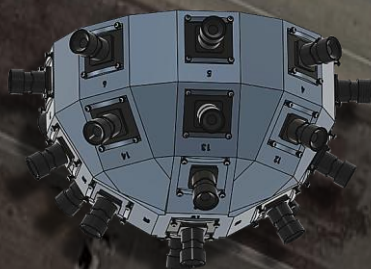
AVIGAILTOP

Top-View Multi Sensor Electro Optical Situational Awareness Payload



See First. Act First.

- 21 x 4K Day (VIS) or Night LWIR Continuous Coverage
- AI-assisted Detection & Tracking
- Modular Integration for Manned & Unmanned Platforms
- Fiber optic Ethernet interface for high transfer rates
- Large terrain coverage 700m x 428m @ 150m alt
- Stabilized Power Supply

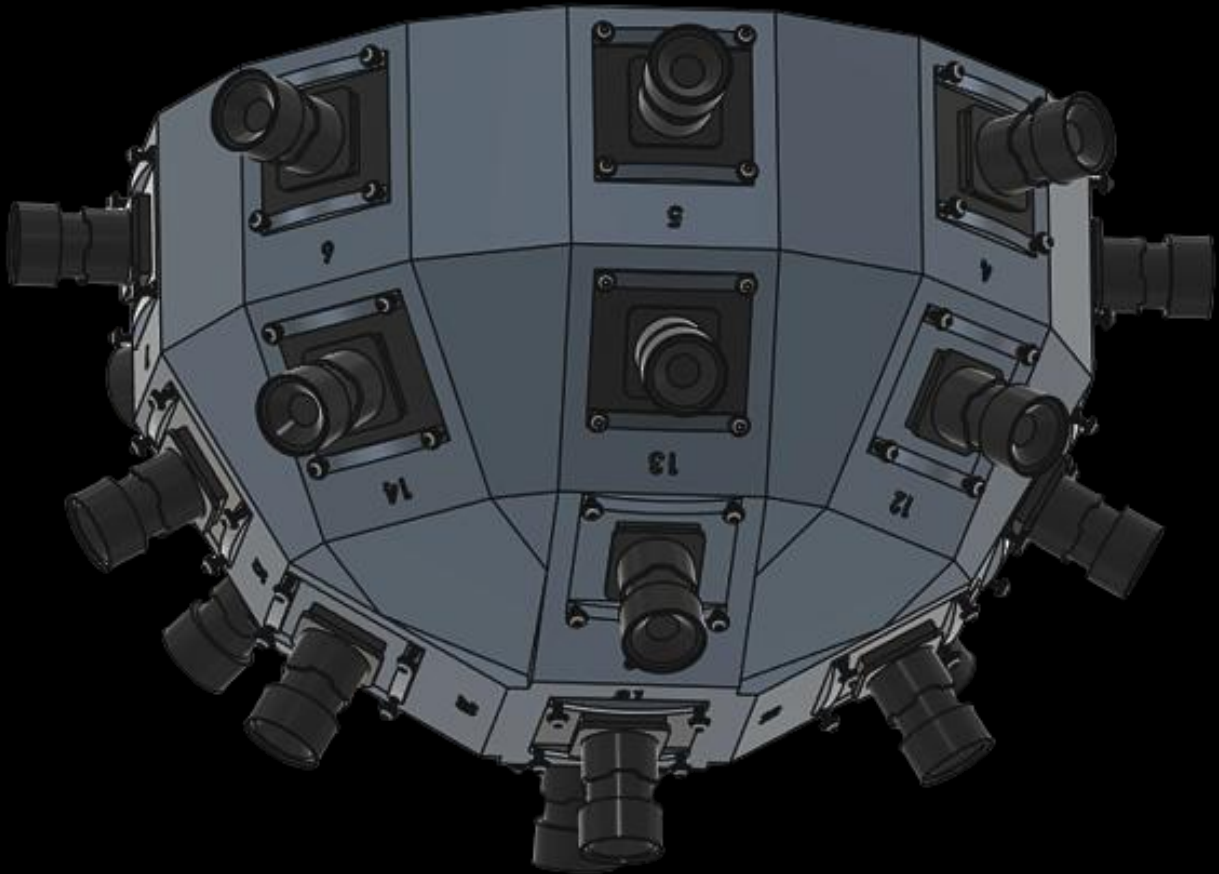


AVIGAILTOP

Top-View Multi Sensor Electro Optical Situational Awareness Payload

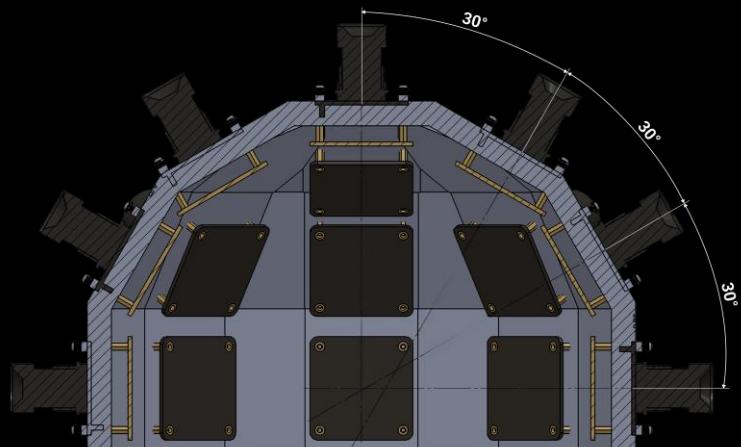
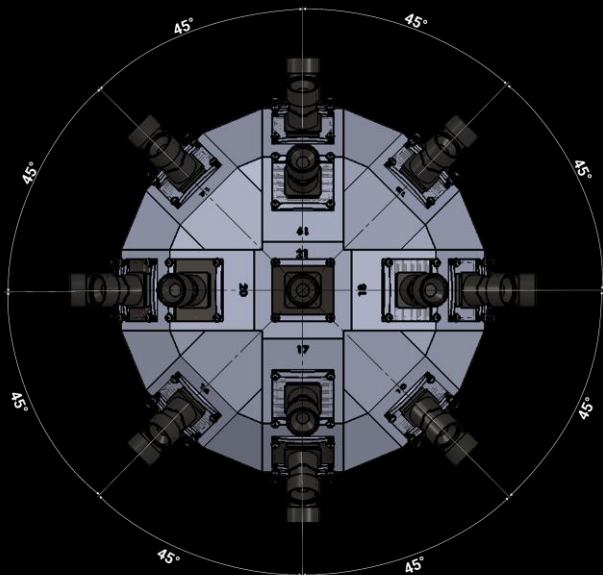
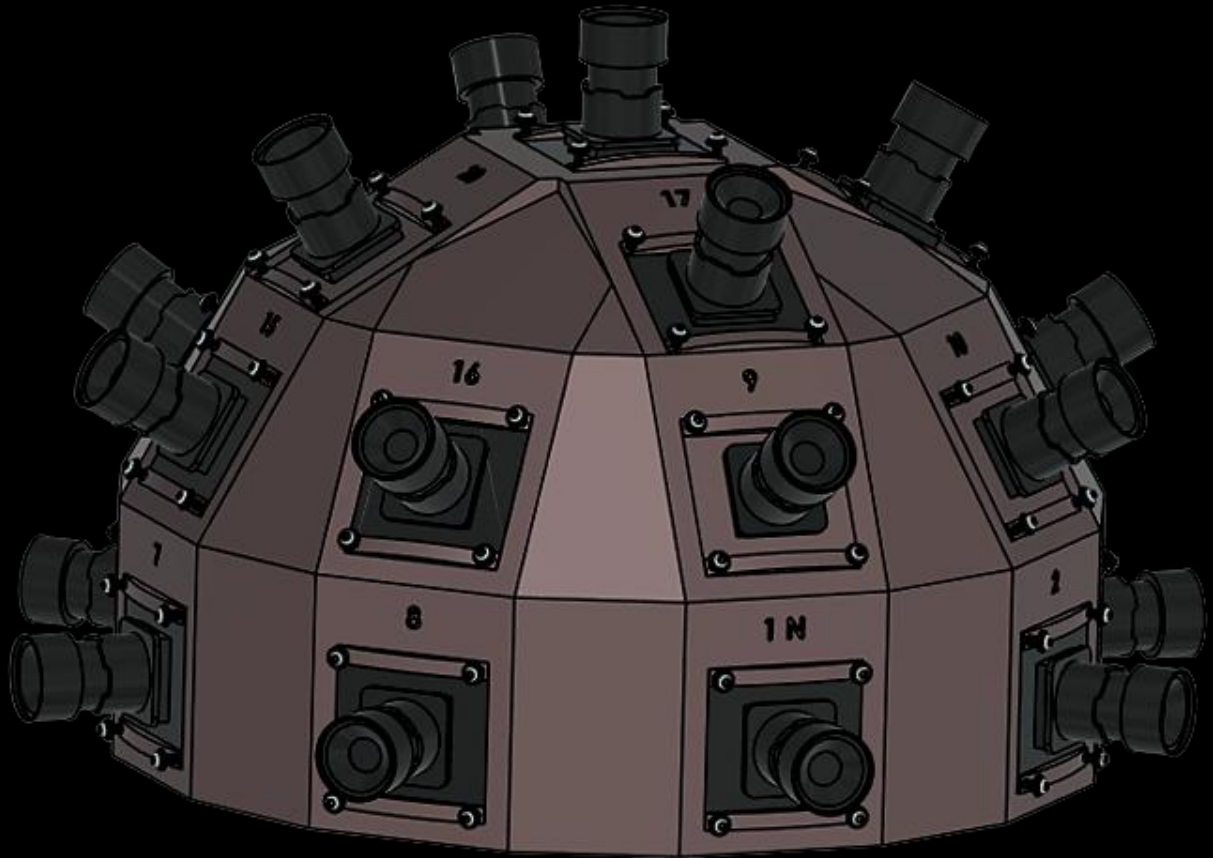
LOW LIGHT SENSOR

MODEL	AVIGAILTOP
LOW LIGHT SENSOR	21 x Day 4K 3840x2160 pixels IMX678 H.265 Or 21 x LWIR 640x512 pixels 12 micron
SYSTEM COMPONENTS	IP66 Light Weight Case Fiber Optic Ethernet Connector Embedded switch Software included
FOV	16 x (57.1° x 30.4°)
POWER	9-75 VDC, 72W



AVIGAILDOME

Electro Optical Multi-Sensor Drone Situational Awareness Dome



DEEPSIGHT

Integrated Electro-Optic Development Platform



DETECT. IDENTIFY. DOMINATE.

SightDESK.	complete software solution, control center application
Live Streaming.	Fusion Day Night Scene Real-Time Streams
Telemetry Data.	Detectors, Trackers, LRF, Pan Tilt Data, INS
Geo-Position.	INS, GPS, Compass, IMU, GYRO, Mapping
Fire-Detector.	Day and Night fire risk detection
Storage.	Video/Audio Storage Manager, Logger
Alerts.	Alert manager. IO connectivity and LAN/WAN alerts
ATR.	Target Detection / Tracking / PTZ Tracker
Stabilization.	EIS (3 Axis Image) and Gyro Stabilization
Panorama.	Panorama Generator. Live Field of View control, Presets
Customized GUI.	Win forms or Web
Code.	Ready to run Code examples and Open Source .Net software interface
Discovery Tool.	Open-source discovery tool with your brand
Secured VLAN.	with Single IP Address to the device

DEEPSIGHT

Integrated Electro-Optic Development Platform

SIGHT IS QUALIFIED:

MIL-STD-810G FOR THE FOLLOWING PROCEDURES:

High Temp. - Method 501.6, Procedure I Storage high temp 168H

Low Temp. - Method 502.6, Procedure I Storage low temp 24H

High Temp. - Method 501.6, Procedure II Operation high temp 24H

Low Temp. - Method 502.6, Procedure II Operation low temp

Temperature Shock -Method 503.6,63/-33, 1 cycle

Vibration - method 514.7, transportation highway, 1h each axis total 3h

Vibration - method 528.1, operational 15 sec each frequency, endurance 2h

Shock - method 516.7, Procedure I, 40g/11ms

Dust -method 510.6, procedure I

Salt Fog, total 96h

SAND -Method 510.6, procedure II

Humidity - Method 507.6, Procedure II, 240H

Sealing test towards IEC60529 IP67 code

Solar radiation - Method 505.4 procedure I – 72h

Rain - Method 506.4, Procedure II, 15minutes

Fluids contamination - Method 504.3

MIL STD 461F EMI RFI

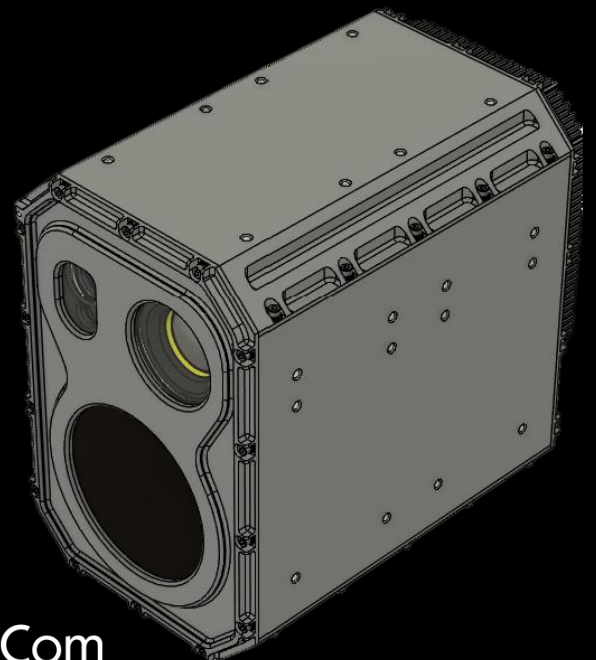
CE101, CE102, CS101, CS114, CS116, RE101

RE102, RS101, RS103 (2Mhz-18Ghz;50V/m).

Tested by:



ISRAEL TESTING LABORATORIES
Global Certifications You Can Trust



DEEPSIGHT

Integrated Electro-Optic Development Platform

MODEL	MWIR 15-300	LWIR 25-150	LWIR 20-100	LWIR HD 25-75
LOW LIGHT DAY SENSOR	3.0MP Global Shutter Zoom Block Optical x30 Digital x16 Resolution 2048x1536 @ 30fps Focal Length 5.5mm-165mm FOV 46.5° - 2.2° Or 3.7MP SONY IMX675 Zoom Block Optical x40 Digital x32 Resolution 2560x1440 @ 30fps Focal Length 4.25mm-170mm FOV 73.8° - 2.16°			
DAY WINDOW	SAPPHIRE			
NIGHT SENSOR	COOLED MWIR x20 Zoom 15-300 mm F4.0 FOV 1.83° to 35.5°	LWIR 640x512 x6 Zoom 25-150mm FOV 17,5° to 2,93°	LWIR 640x512 x5 Zoom 20-100mm FOV 22,5° to 4,4°	LWIR 1280x1024 x3 Zoom 25-75mm FOV 32° to 10.9°
NIGHT GLASS	GE/SILICON windows, Size: φ92.6x5mm, AR/DLC			
POSITION	Horizontal / Vertical Installation			
THERMAL DRI – Detection, Recognition, Identification				
DETECTION (m) Human/NATO target	8,660/14,500	4,300/9,583	2,886/6,388	2,165/4,791
RECOGNITION (m) Human/NATO target	4,330/9,583	2,165/4,791	1,443/3,194	1,082/2,395
IDENTIFICATION (m) Human/NATO target	3,247/7,187	1,623/3,593	1,082/2,395	812/1,797
LRF Laser Range Finder	•8KM NATO Target, Precision 0.01 – 0.5 m, Beam divergence 0.6 mrad, Eye safe Laser Class 1			
NPU	CPU Intel® Core™ Ultra Processors ,RAM 64GB, SSD 1TB ,INTEL® ARC™			
POWER	12-40 VDC 120W Max. MIL.STD704, MIL.STD810G POWER STABILIZER			
DIMENSIONS (mm)	190 X 284 x 300 mm			
INTERFACE	ETHERNET INTERFACE			
CONNECTOR	Hermetic Stainless Steel D38999/23YC35PN			
WEIGHT (Kg)	9 kg	9 kg	9 kg	9 kg
IP RATE	Sealed IP67 Nitrogen Purged			
*DRI Calculation according to Johnson Criteria (Lines 3/6/8 D/R/I)				

DEEPSIGHT

Integrated Electro-Optic Development Platform

MODEL	MWIR HD 15-300	SWIR HD 7.1-200	SWIR HD 17-510	LWIR HD 25-225
LOW LIGHT DAY SENSOR	3.0MP Global Shutter Zoom Block Optical x30 Digital x16 Resolution 2048x1536 @ 30fps Focal Length 5.5mm-165mm FOV 46.5° - 2.2° Or 3.7MP SONY IMX675 Zoom Block Optical x40 Digital x32 Resolution 2560x1440 @ 30fps Focal Length 4.25mm-170mm FOV 73.8° - 2.16°			
DAY GLASS	SAPPHIRE GLASS			
NIGHT SENSOR	COOLED HD MWIR x20 Zoom 15-300 mm F4.0 FOV 35.5° to 1.83°	SWIR 1280x1024 x28 Zoom 7.1-200mm FOV 48.5° to 1.83°	SWIR 1280x1024 x30 Zoom 17-510mm FOV 21.32° to 0.72°	LWIR 1280x1024 x9 Zoom 25-225mm FOV 34.2° to 3.9°
NIGHT GLASS	GE/SILICON windows			
POSITION	Horizontal / Vertical Installation			
THERMAL DRI – Detection, Recognition, Identification				
DETECTION (m) Human/NATO target	8,660/14,500	13,856/30,666	35,333/78,200	6,495/14,375
RECOGNITION (m) Human/NATO target	4,330/9,583	6,928/15,333	17,666/39,100	3,247/7,187
IDENTIFICATION (m) Human/NATO target	3,247/7,187	5,196/11,500	13,250/29,325	2,435/5,390
LRF Laser Range Finder	•8KM NATO Target, Precision 0.01 – 0.5 m, Beam divergence 0.6 mrad, Eye safe Laser Class 1			
NPU	CPU Intel® Core™ Ultra Processors ,RAM 64GB, SSD 1TB ,INTEL® ARC™			
POWER	12-40 VDC 120W Max. MIL.STD704, MIL.STD810G POWER STABILIZER			
DIMENSIONS (mm)	190 X 284 x 300 mm		352x275x360 mm	
INTERFACE	ETHERNET INTERFACE			
CONNECTOR	Hermetic Stainless Steel D38999/23YC35PN			
WEIGHT (Kg)	9 kg	16 kg	20 kg	23 kg
IP RATE	Sealed IP67 Nitrogen Purged			

*DRI Calculation according to Johnson Criteria (Lines 3/6/8 D/R/I)

DEEPSIGHT

Integrated Electro-Optic Development Platform

MODEL	MWIR HD 50-1000	LWIR HD 30-300	LWIR HD 25-225 PRO	SWIR HD 17-510 PRO
LOW LIGHT DAY SENSOR	1/1.8" 5MP Pregius S Global Exposure CMOS, 2448 × 2048, 5MP 20 ~ 1200mm ; 60× Optical, 16× Digital FOV 19.0° to 0.32°			
DAY GLASS	SAPPHIRE GLASS			
NIGHT SENSOR	COOLED HD MWIR x20 Zoom 50-1000 mm F4.0 FOV 14.6° to 0.7°	LWIR 1280x1024 x10 Zoom 30-300mm FOV 32° to 10.9°	LWIR 1280x1024 x9 Zoom 25-225mm FOV 34.2° to 3.9	SWIR 1280x1024 x30 Zoom 17-510mm FOV 21.32° to 0.72
NIGHT GLASS	GE/SILICON windows			
POSITION	Horizontal Installation			
THERMAL DRI – Detection, Recognition, Identification				
DETECTION (m) Human/NATO target	34,000/76,000	8,660/19,166	6,495/14,375	35,333/78,200
RECOGNITION (m) Human/NATO target	17,320/38,333	4,330/9,583	3,247/7,187	17,666/39,100
IDENTIFICATION (m) Human/NATO target	12,990/28,750	3,247/7,187	2,435/5,390	13,250/29,325
LRF Laser Range Finder	8Km or 17.6Km NATO Precision 0.01 – 0.5 m, Beam divergence 0.6 mrad, Eye safe Laser Class 1			
NPU	CPU Intel® Core™ Ultra Processors ,RAM 64GB, SSD 1TB ,INTEL® ARC™			
POWER	12-40 VDC 120W Max. MIL.STD704, MIL.STD810G POWER STABILIZER			
DIMENSIONS (mm)	376x629x536			
INTERFACE	ETHERNET INTERFACE			
CONNECTOR	Hermetic Stainless Steel D38999/23YC35PN			
WEIGHT (Kg)	55 kg	55 kg	30 Kg	30 Kg
IP RATE	Sealed IP67 Nitrogen Purged			

*DRI Calculation according to Johnson Criteria (Lines 3/6/8 D/R/I)

DEEPSIGHT

Integrated Electro-Optic Development Platform



MODEL	OWL	OWL225	OMEGA Ω	OWL1000
MOUNTING TYPE	U Mount	U Mount	Ω (OMEGA) TOP + Sides	U Mount
TILT	Max ±90° Deg Max. Motor Torque (NM) 35/ 50/ 150			
PAN	Cont. 360° Deg Motor Torque (NM) 35/ 50/ 150			
TRUE NORTH INS GPS	DUAL ANTENNA GNSS-AIDED INERTIAL NAVIGATION*			
MAX.SPEED	20 RPM, up to 120°/sec			
MAX. PAYLOAD	50 kg	50 kg	70 kg	70 Kg
DIMENSIONS LxWxH (mm)	416x210x442	505x255x624	794x210x419	777x765x629
WEIGHT(Kg)	22 kg	25 kg	32 kg	32 kg
IP RATE	IP66			
POWER	24 - 48VDC			

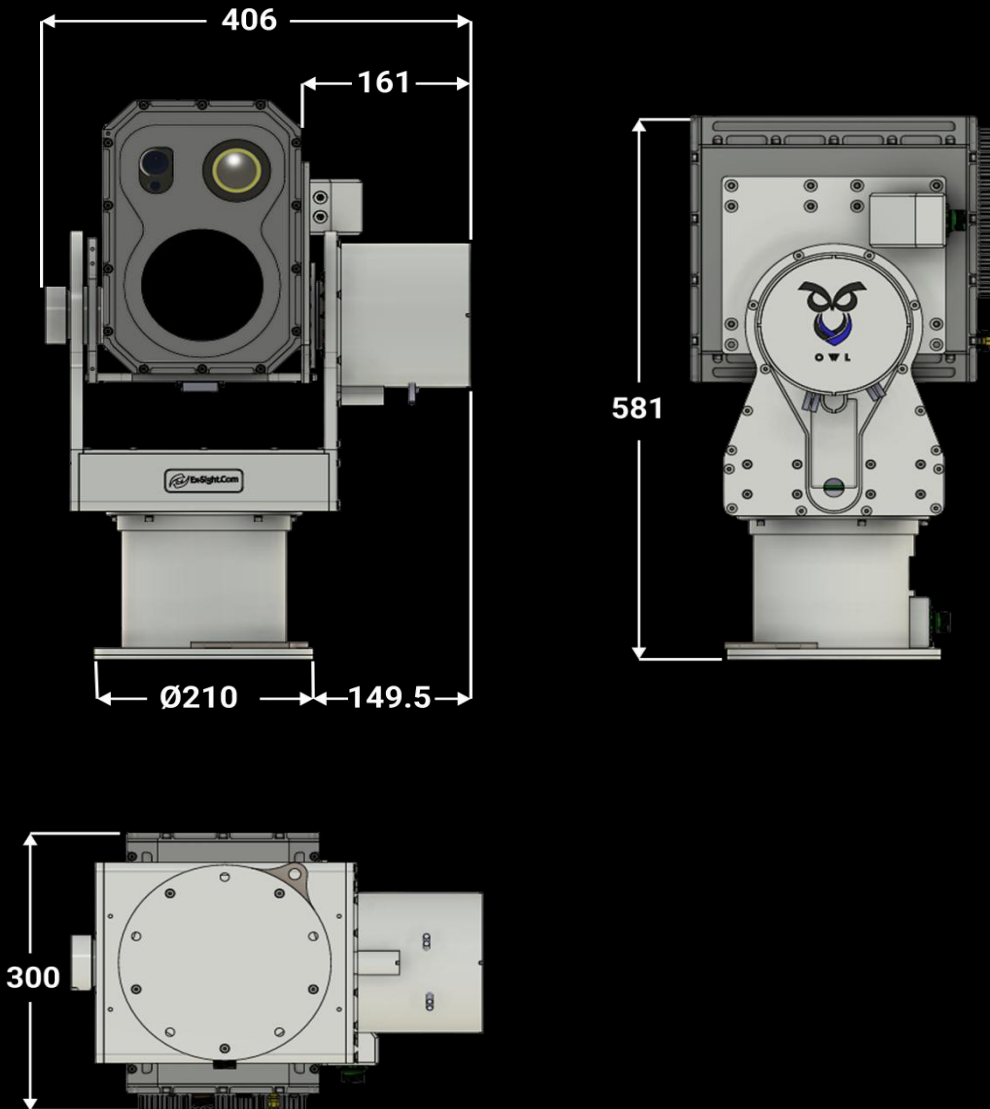
DEEPSIGHT

Integrated Electro-Optic Development Platform

MODELS: MWIR15-300 , LWIR 25-150, LWIR 20-100, LWIR HD 25-75, MWIR HD 15-300,
SWIR HD 7.1-200, SWIR HD 17-510

DIMENSIONS

PT OWL(LxWxH, mm) 406x300x581



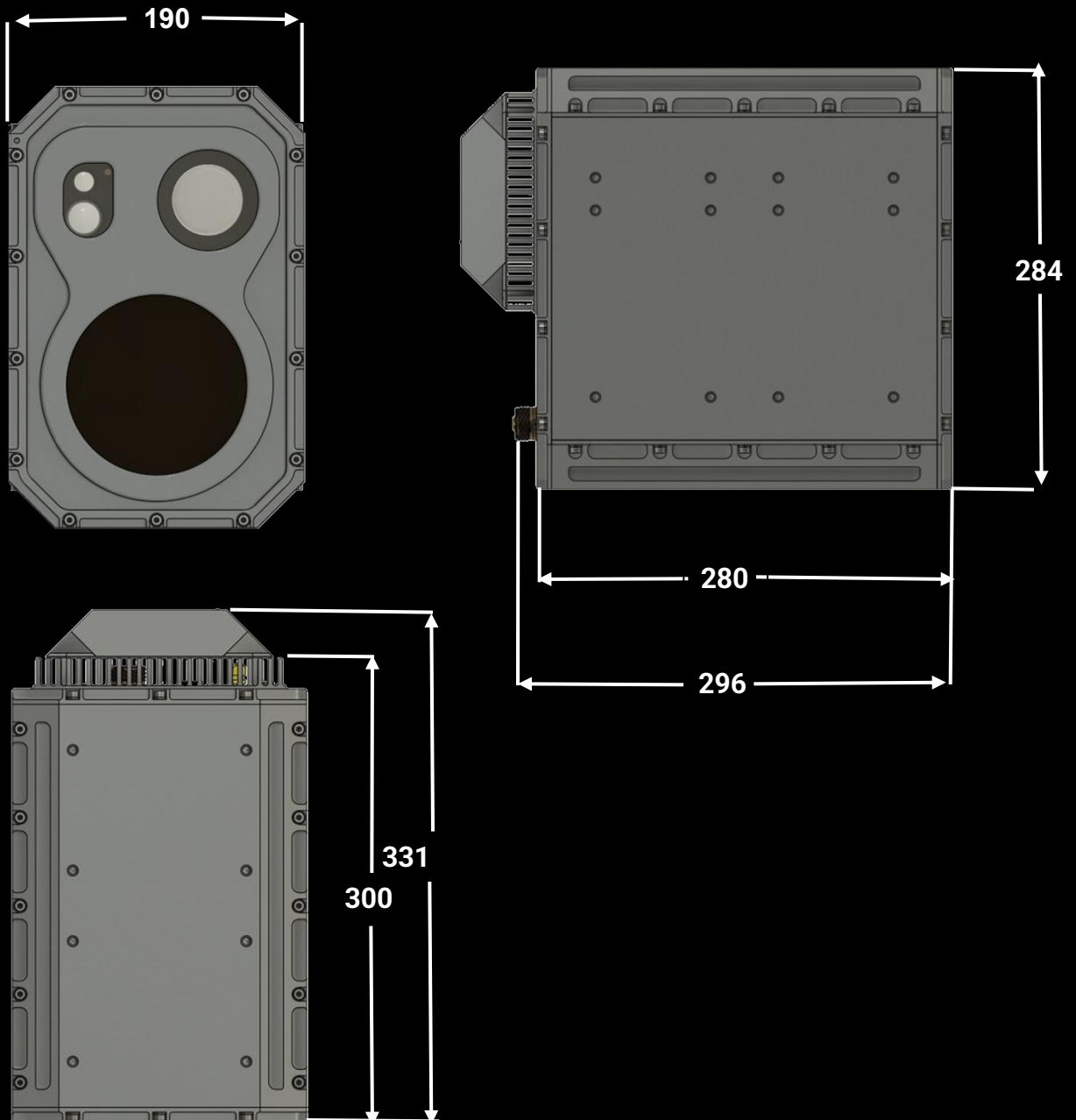
DEEPSIGHT

Integrated Electro-Optic Development Platform

MODELS: MWIR15-300 , LWIR 25-150, LWIR 20-100, LWIR HD 25-75, MWIR HD 15-300,
SWIR HD 7.1-200, SWIR HD 17-510

DIMENSIONS

(LxWxH, mm) 190x300x284



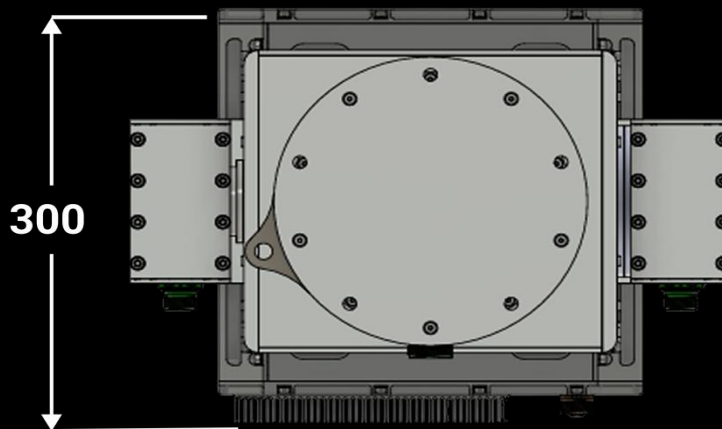
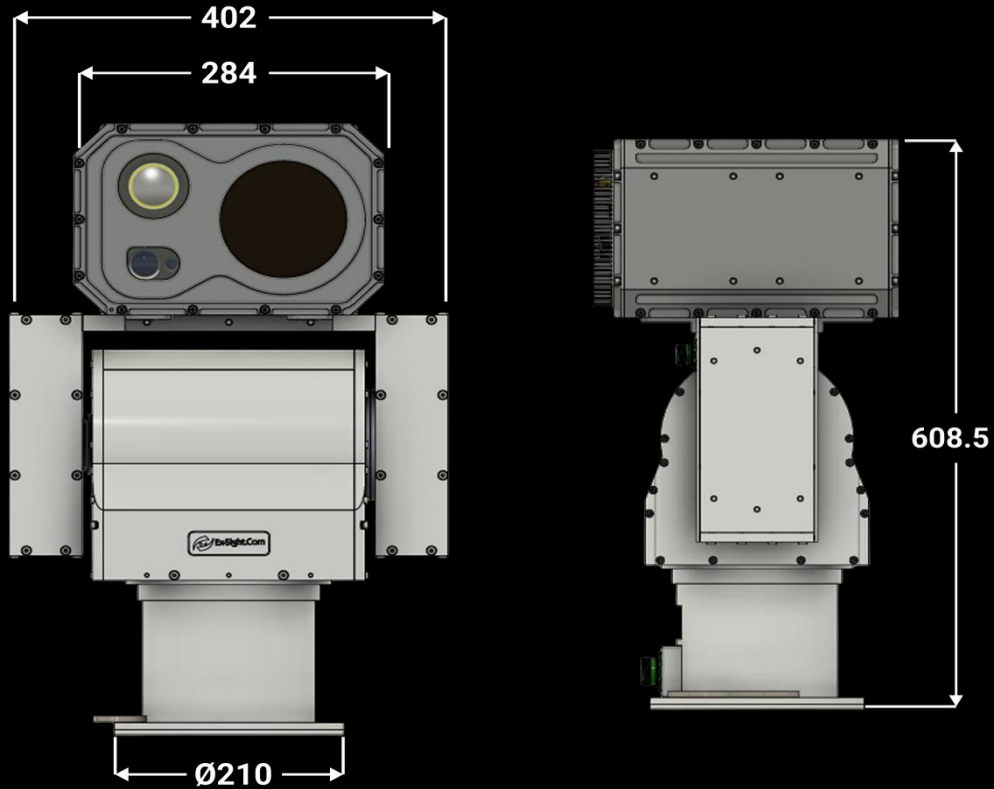
DEEPSIGHT

Integrated Electro-Optic Development Platform

MODELS: MWIR15-300 , LWIR 25-150, LWIR 20-100, LWIR HD 25-75
MWIR HD 15-300, SWIR HD 7.1-200, SWIR HD 17-510

DIMENSIONS

PT OMEGA (LxWxH, mm) 402x300x608.5



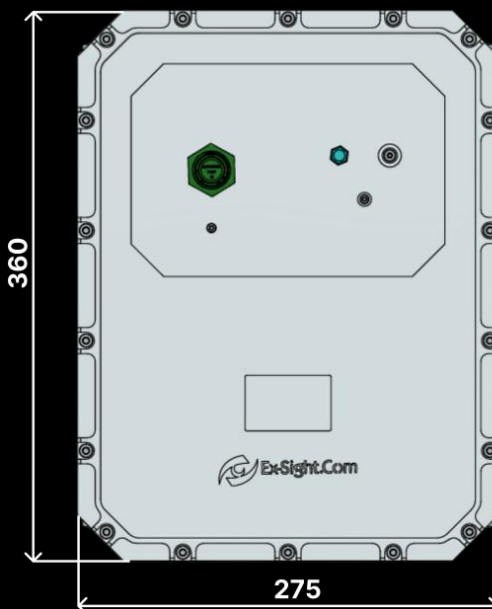
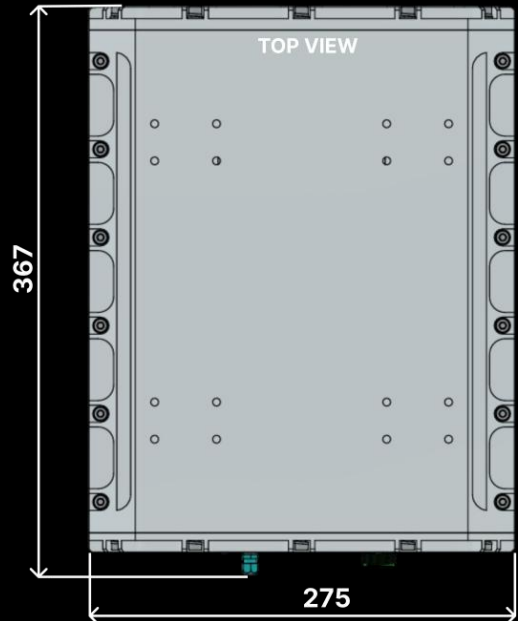
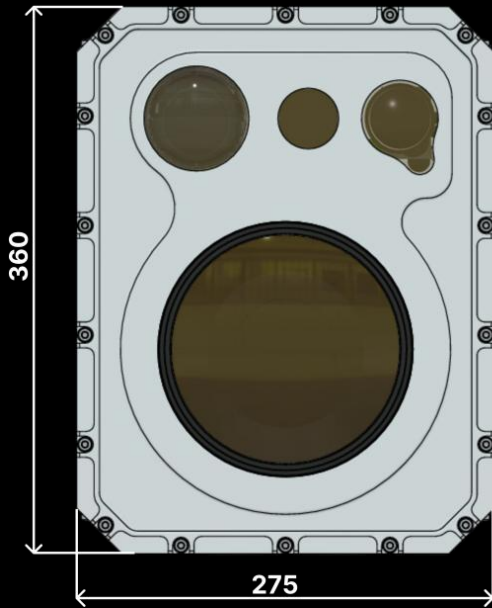
DEEPSIGHT

Integrated Electro-Optic Development Platform

MODELS: LWIR HD 25-225, SWIR HD 17-510

DIMENSIONS

(LxWxH, mm) 275x367x360



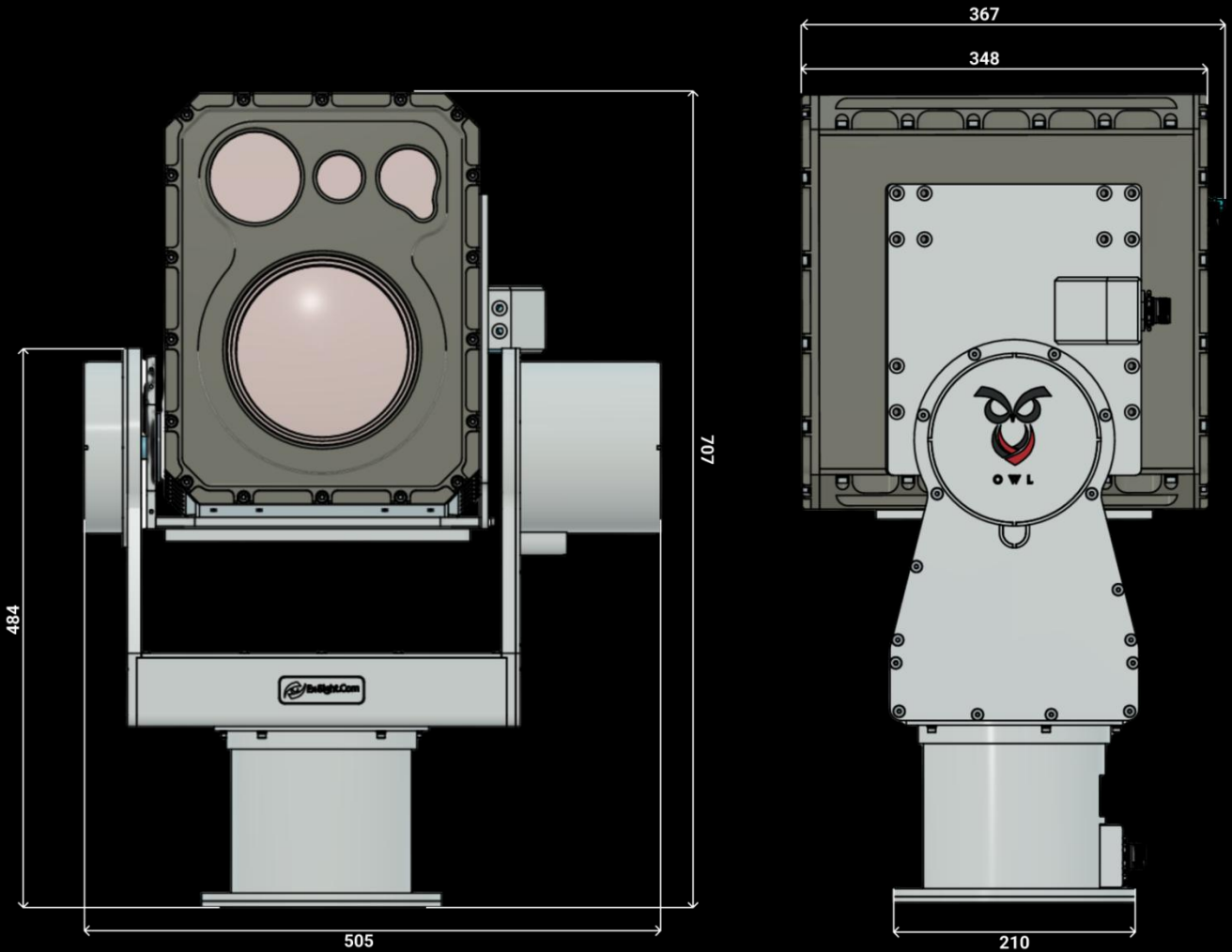
DEEPSIGHT

Integrated Electro-Optic Development Platform

MODELS: LWIR HD 25-225, SWIR HD 17-510

DIMENSIONS

OWL225 (LxWxH, mm) 484x505x210



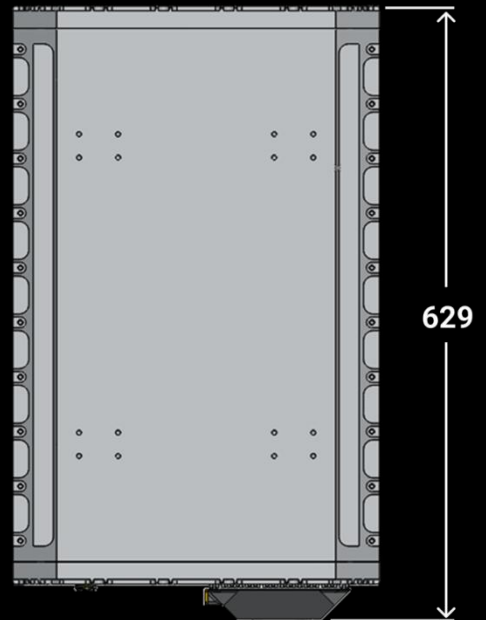
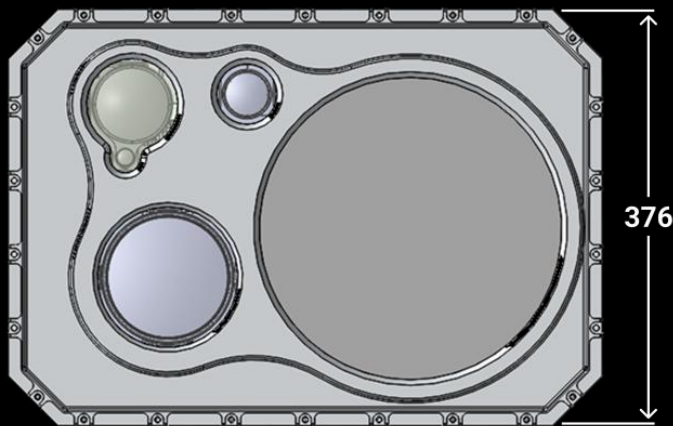
DEEPSIGHT

Integrated Electro-Optic Development Platform

Models: MWIR HD 50-1000, LWIR HD 30-300, LWIR HD 25-225 PRO ,
SWIR HD 17-510 PRO

DIMENSIONS

(LxWxH, mm) 376x629x536



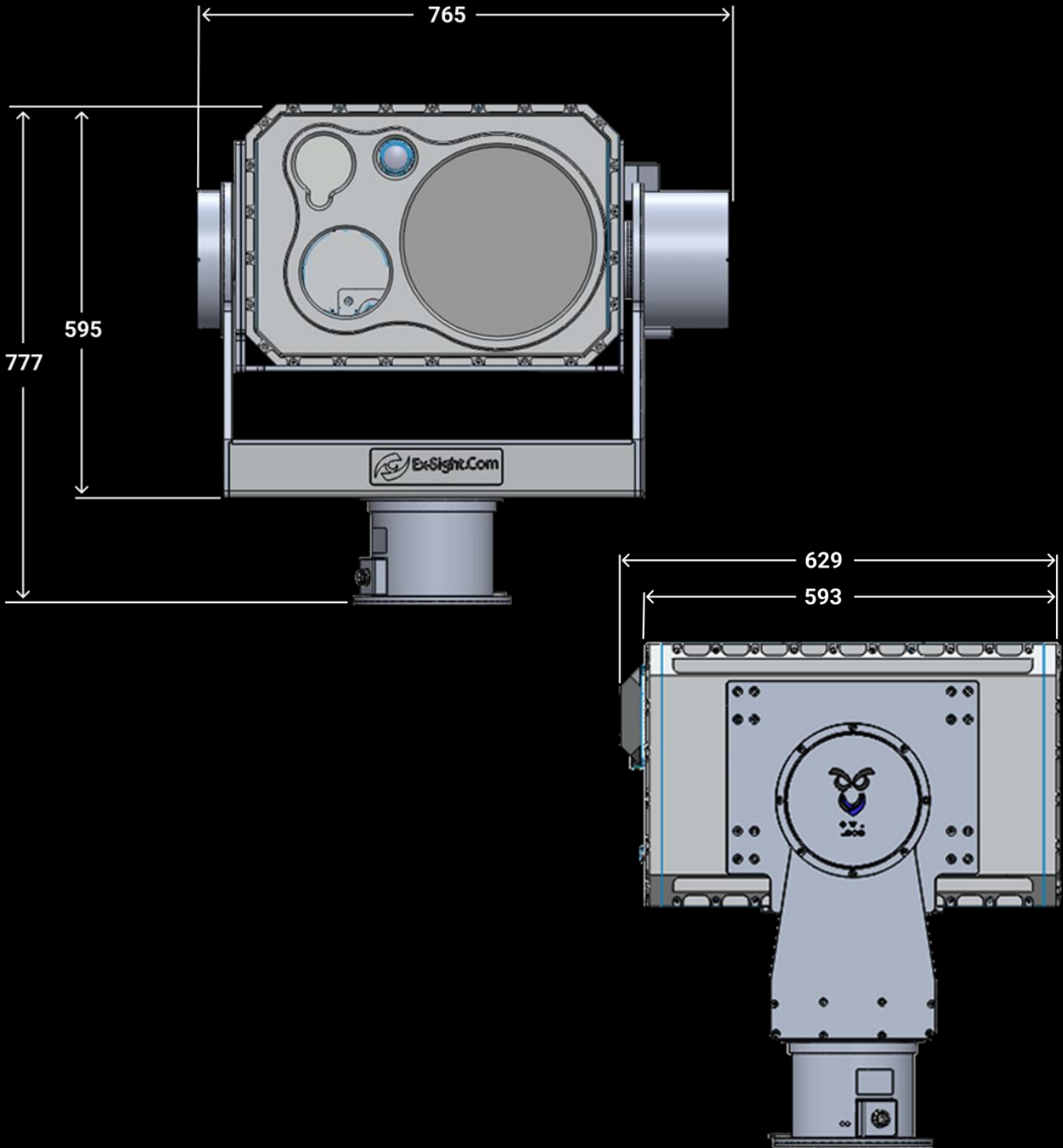
DEEPSIGHT

Integrated Electro-Optic Development Platform

MODELS: MWIR HD 50-1000, LWIR HD 30-300, LWIR HD 25-225 PLUS, SWIR HD 17-510 PRO

DIMENSIONS

OWL1000 PT (LxWxH, mm) 777x765x629



DEEPSPHERE

Integrated Electro-Optic Development GIMBAL



Ex-Sight.Com

DETECT. IDENTIFY. DOMINATE.

SightDESK.

Live Streaming.

Telemetry Data.

Geo-Position.

Fire-Detector.

Storage.

Alerts.

ATR.

Stabilization.

Panorama.

Video-RADAR

Customized GUI.

Code.

Discovery Tool.

Secured VLAN.

complete software solution, control center application

Fusion | Day | Night | Scene Real-Time Streams

Detectors, Trackers, LRF, Pan Tilt Data, INS

INS, GPS, Compass, IMU, GYRO, Mapping

Day and Night fire risk detection

Video/Audio Storage Manager, Logger

Alert manager. IO connectivity and LAN/WAN alerts

Target Detection / Tracking / PTZ Tracker

EIS (3 Axis Image) and Gyro Stabilization

Panorama Generator.

Automatic Detection/Tracking for Specified Zones

Win forms or Web

Ready to run Code examples and Open Source .Net software interface

Open-source discovery tool with your brand

with Single IP Address to the device

DEEPSPHERE

Integrated Electro-Optic Development GIMBAL

MODEL	MWIR 15-300	LWIR 25-150	LWIR 20-100	LWIR HD 25-75
LOW LIGHT DAY SENSOR	3.0MP Global Shutter Zoom Block Optical x30 Digital x16 Resolution 2048x1536 @ 30fps Focal Length 5.5mm-165mm FOV 46.5° - 2.2° Or 3.7MP SONY IMX675 Zoom Block Optical x40 Digital x32 Resolution 2560x1440 @ 30fps Focal Length 4.25mm-170mm FOV 73.8° - 2.16°			
DAY WINDOW	SAPPHIRE			
NIGHT SENSOR	COOLED MWIR x20 Zoom 15-300 mm F4.0 FOV 1.83° to 35.5°	LWIR 640x512 x6 Zoom 25-150mm FOV 17,5° to 2,93°	LWIR 640x512 x5 Zoom 20-100mm FOV 22,5° to 4,4°	LWIR 1280x1024 x3 Zoom 25-75mm FOV 32° to 10.9°
NIGHT GLASS	GE/SILICON windows, Size: φ92.6x5mm, AR/DLC			
POSITION	Horizontal / Vertical Installation			
Thermal DRI – Detection, Recognition, Identification				
DETECTION (m) Human/NATO target	8,660/14,500	4,300/9,583	2,886/6,388	2,165/4,791
RECOGNITION (m) Human/NATO target	4,330/9,583	2,165/4,791	1,443/3,194	1,082/2,395
IDENTIFICATION (m) Human/NATO target	3,247/7,187	1,623/3,593	1,082/2,395	812/1,797
LRF Laser Range Finder	•8KM NATO Target, Precision 0.01 – 0.5 m, Beam divergence 0.6 mrad, Eye safe Laser Class 1			
NPU	CPU Intel® Core™ Ultra Processors ,RAM 64GB, SSD 1TB ,INTEL® ARC™			
POWER	12-40 VDC 120W Max. MIL.STD704, MIL.STD810G POWER STABILIZER			
DIMENSIONS (mm)	190 X 284 x 300 mm			
INTERFACE	ETHERNET INTERFACE			
CONNECTOR	Hermetic Stainless Steel D38999/23YC35PN			
WEIGHT (Kg)	9 kg	9 kg	9 kg	9 kg
IP RATE	Sealed IP67 Nitrogen Purged			

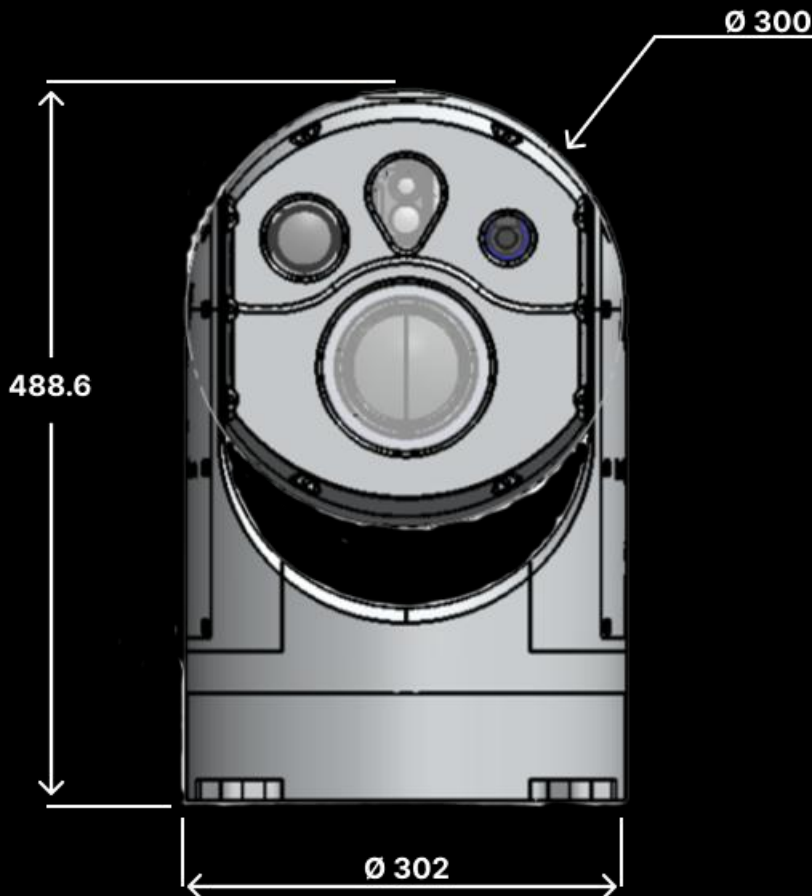
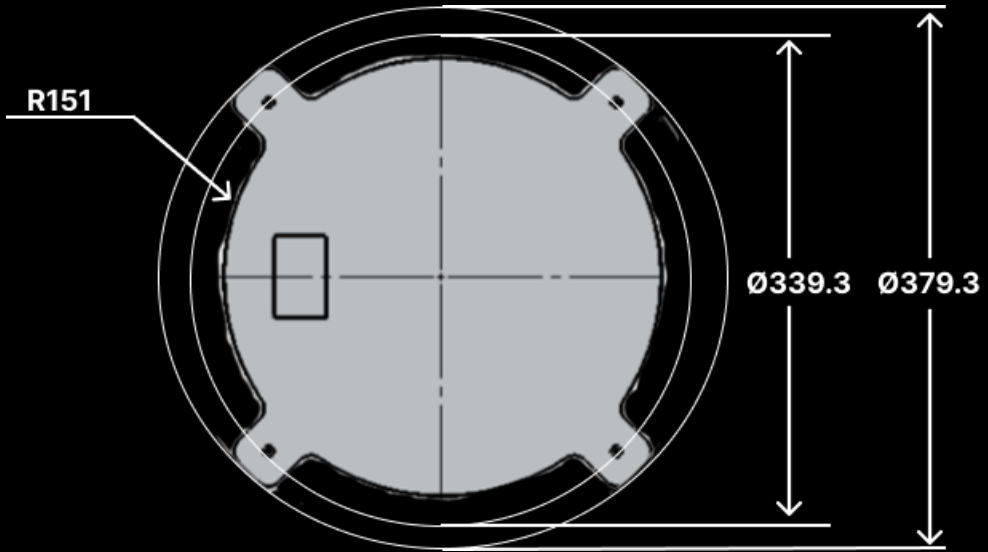
DEEPSPHERE

Integrated Electro-Optic Development GIMBAL

MODEL	SWIR HD 7.1-200
LOW LIGHT DAY SENSOR	3.0MP Global Shutter Zoom Block Optical x30 Digital x16 Resolution 2048x1536 @ 30fps Focal Length 5.5mm-165mm FOV 46.5° - 2.2° Or 3.7MP SONY IMX675 Zoom Block Optical x40 Digital x32 Resolution 2560x1440 @ 30fps Focal Length 4.25mm-170mm FOV 73.8° - 2.16°
DAY WINDOW	SAPPHIRE GLASS
NIGHT SENSOR	SWIR 1280x1024 x28 Zoom 7.1-200mm FOV 48.5° to 1.83°
NIGHT GLASS	GE/SILICON windows
POSITION	Horizontal / Vertical Installation
SWIR DRI – Detection, Recognition, Identification	
DETECTION (m) Human/NATO target	13,856/30,666
RECOGNITION (m) Human/NATO target	6,928/15,333
IDENTIFICATION (m) Human/NATO target	5,196/11,500
LRF Laser Range Finder	•8KM NATO Target, Precision 0.01 – 0.5 m, Beam divergence 0.6 mrad, Eye safe Laser Class 1
NPU	CPU Intel® Core™ Ultra Processors ,RAM 64GB, SSD 1TB ,INTEL® ARC™
POWER	12-40 VDC 120W Max. MIL.STD704, MIL.STD810G POWER STABILIZER
DIMENSIONS (mm)	190 X 284 x 300 mm
INTERFACE	ETHERNET INTERFACE
CONNECTOR	Hermetic Stainless Steel D38999/23YC35PN
WEIGHT (Kg)	9 kg
IP RATE	Sealed IP67 Nitrogen Purged

DEEPSPHERE

DIMENSIONS (LxWxH, mm) ...x302x488.6 Ø300
WEIGHT 9 kg



EX-SIGHT ADVANCED ELECTRO-OPTICS

SPHERE-F

DUAL SENSOR RUGGED GIMBAL



SPHERE-F

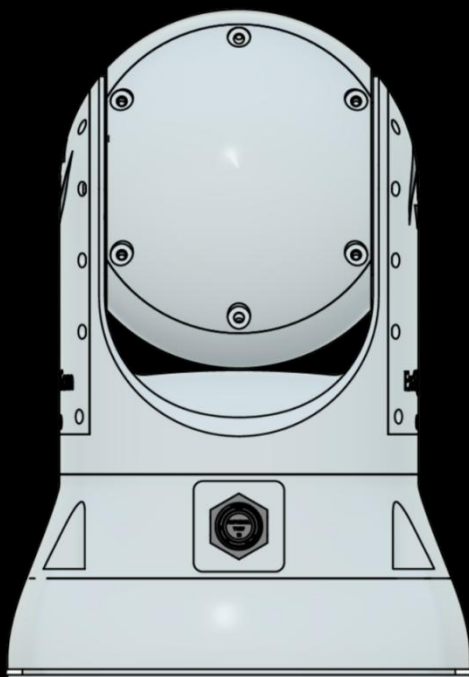
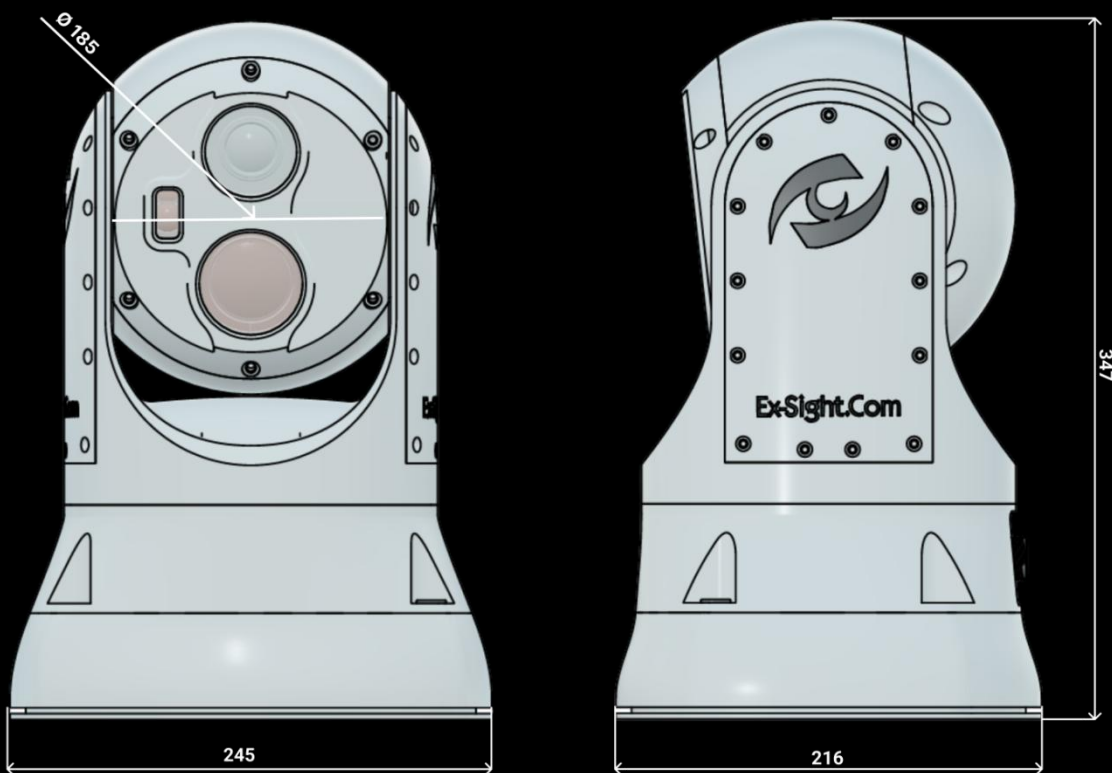
DUAL SENSOR RUGGED GIMBAL

MODEL	SPHERE-F
LOW LIGHT DAY SENSOR	3.0MP Global Shutter Zoom Block Optical x30 Digital x16 Resolution 2048x1536 @ 30fps Focal Length 5.5mm-165mm FOV 46.5° - 2.2°
DAY GLASS	SAPPHIRE GLASS
NIGHT SENSOR	LWIR 640x512 Up to 35mm
NIGHT GLASS	GE/SILICON window
POSITION	DOME / Top Mounting
LWIR DRI 35mm – Detection, Recognition, Identification	
DETECTION (m) Human/NATO target	1,010/2,236
RECOGNITION (m) Human/NATO target	360/798
IDENTIFICATION (m) Human/NATO target	270/599
POWER	12-40 VDC 120W Max. MIL.STD704, MIL.STD810G POWER STABILIZER
DIMENSIONS (mm)	245x216x347 mm ø 185
INTERFACE	ETHERNET INTERFACE
CONNECTOR	Hermetic Stainless Steel D38999/23YC35PN
WEIGHT (Kg)	13 kg
IP RATE	Sealed IP67 Nitrogen Purged

SPHERE-F

DUAL SENSOR RUGGED GIMBAL

DIMENSIONS (LxWxH, mm) 245x216x347 \varnothing 185



EX-SIGHT ADVANCED ELECTRO-OPTICS

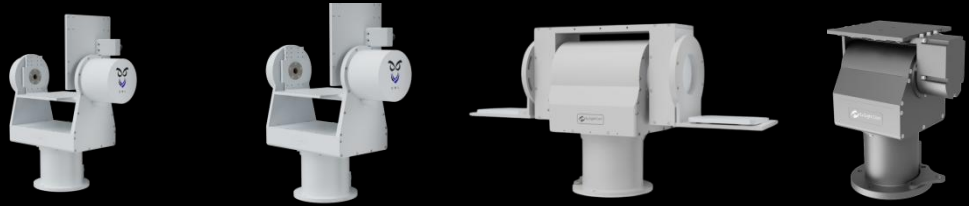
HDPT-SERIES

HEAVY DUTY STABILIZED PAN TILT POSITIONERS



HDPT-SERIES

HEAVY DUTY STABILIZED PAN TILT POSITIONERS

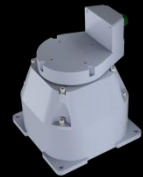


MODEL	OWL	OWL225	OMEGAΩ	ALMA
MOUNTING TYPE	U Mount	U Mount	Ω (OMEGA) TOP + Sides	Top Mount
TILT	Max ±90° Deg Max. Motor Torque (150 NM)			35 NM
PAN	Cont. 360° Deg Motor Torque (150 NM)			35 NM
TRUE NORTH INS GPS	INS DUAL ANTENNA GNSS-AIDED INERTIAL NAVIGATION*			
MAX.SPEED	20 RPM, up to 120°/sec			30 RPM, up to 180°/sec
MAX. PAYLOAD	50Kg	50Kg	70Kg	15Kg
DIMENSIONS LxWxH (mm)	416x210x442	505x255x624	794x210x419	218x163x296
WEIGHT(Kg)	22 kg	25 kg	32 kg	8,5 kg
IP RATE	IP66			
POWER	24-48VDC			



HDPT-SERIES

HEAVY DUTY STABILIZED PAN TILT POSITIONERS



MODEL	ALMA	ADVA	COMPASS
MOUNTING TYPE	Top Mount	Top Mount	Top Mount
TILT	35 NM	35 NM	-
PAN	35 NM	-	35 NM
TRUE NORTH INS GPS	DUAL ANTENNA GNSS- AIDED INERTIAL NAVIGATION*	Optional VN100 INS/ VN200 INS	-
MAX.SPEED	30 RPM, up to 180°/sec		
MAX. PAYLOAD	15 Kg	9 Kg	9 Kg
DIMENSIONS LxWxH (mm)	218x163x296	232x210x158	
WEIGHT(Kg)	8,5 kg	3,5 Kg	4,5 Kg
IP RATE	IP66		
POWER	24-48VDC		



OWL-PT

HEAVY DUTY STABILIZED PAN TILT POSITIONER



② **D38999/23YC35SN**

PAYLOAD Mil. Std Stainless Steel connector

① **D38999/23YC35PN**

Base PT Mil. Std Stainless Steel connector

PANEL PIN LAYOUT (1)

D38999/23YC35PN Stainless Steel Hermetic Connector

PIN	DESCRIPTION
1	+48VDC POWER IN
2	+48VDC POWER IN
3	+48VDC POWER IN
4	+48VDC POWER IN
5	+48VDC POWER IN
6	+48VDC POWER IN
7	+48VDC POWER IN
8	GND POWER IN
9	GND POWER IN
10	GND POWER IN
11	GND POWER IN

PIN	DESCRIPTION
12	GND POWER IN
13	GND POWER IN
14	GND POWER IN
15	ETHERNET (1) TX+
16	ETHERNET (2) TX-
17	ETHERNET (3) RX+
18	NC
19	NC
20	ETHERNET2 (6) RX-
21	NC
22	NC

PANEL PIN LAYOUT (2)

D38999/23YC35SN Stainless Steel Hermetic Connector

PIN	DESCRIPTION
1	NC
2	NC
3	(+9 TO +36VDC) INPUT POWER
4	GND INPUT POWER
5	(+9 TO +36VDC) INPUT POWER
6	GND INPUT POWER
7	NC
8	NC
9	ETHERNET (1) TX+
10	ETHERNET (2) TX-
11	ETHERNET (3) RX+

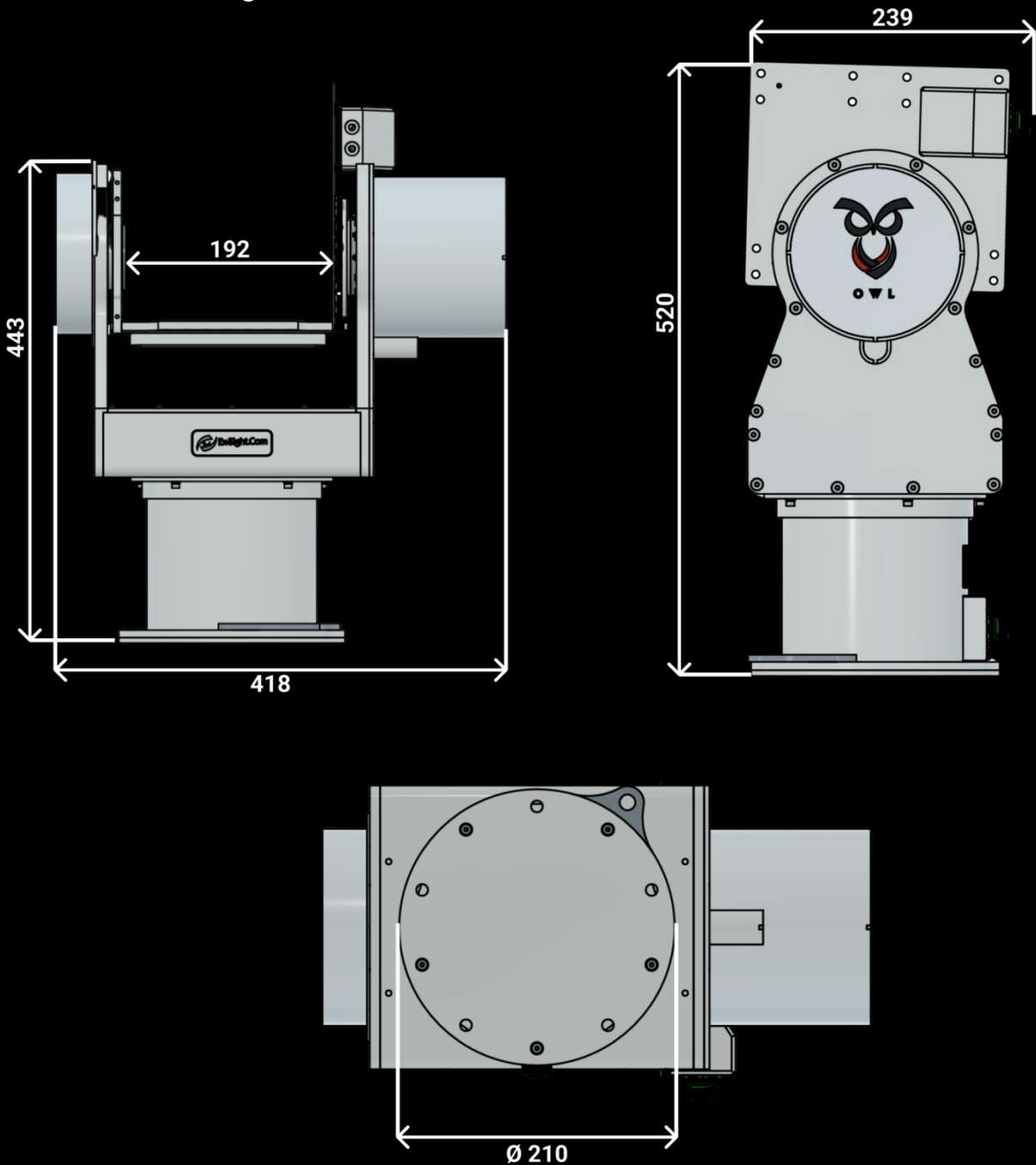
PIN	DESCRIPTION
12	ETHERNET (6) RX-
13	NC
14	NC
15	NC
16	NC
17	NC
18	NC
19	NC
20	NC
21	NC
22	NC

OWL-PT

HEAVY DUTY STABILIZED PAN TILT POSITIONER

DIMENSIONS without EO (LxWxH, mm) 442x416x210

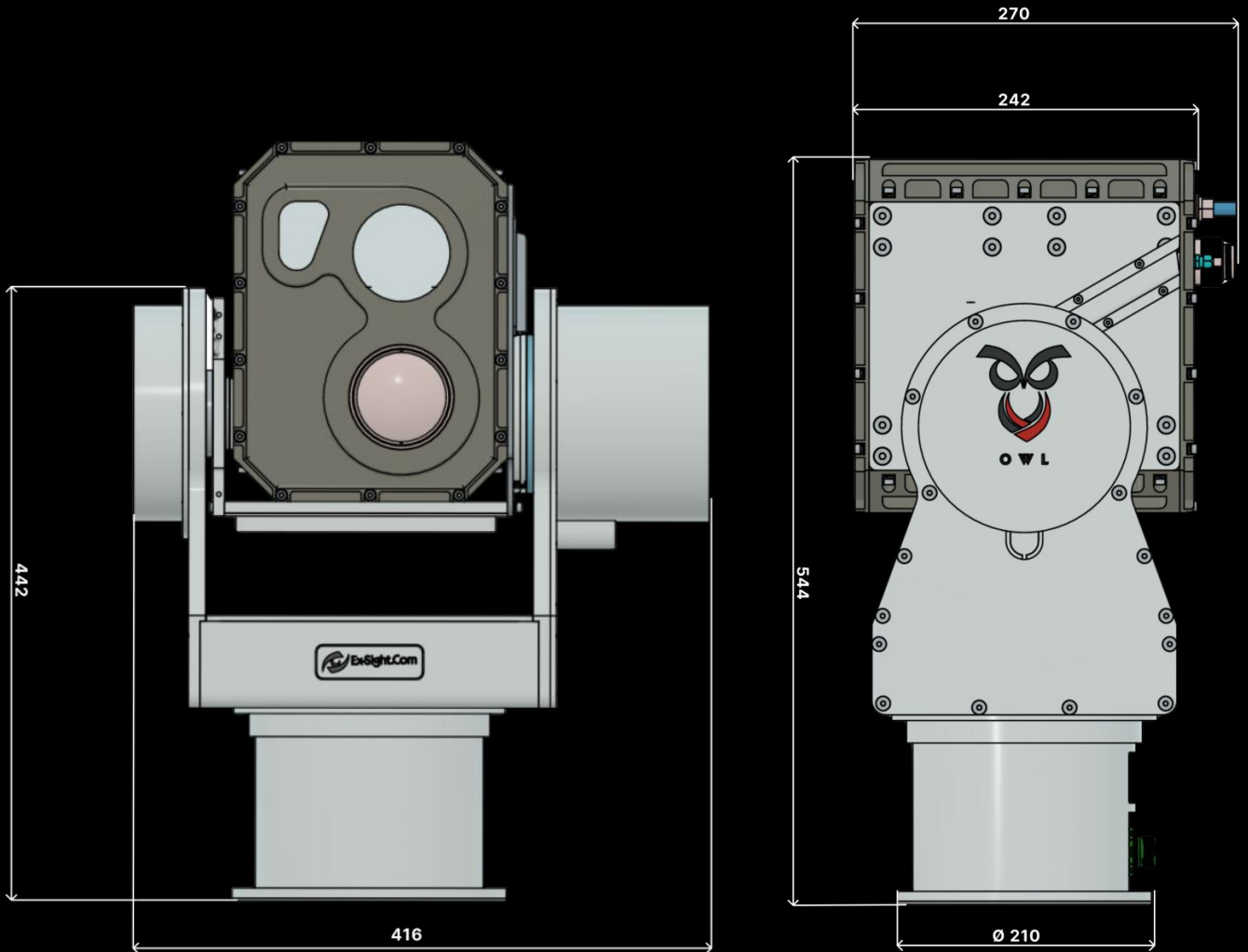
WEIGHT 16 kg



OWL-PT

HEAVY DUTY STABILIZED PAN TILT POSITIONER

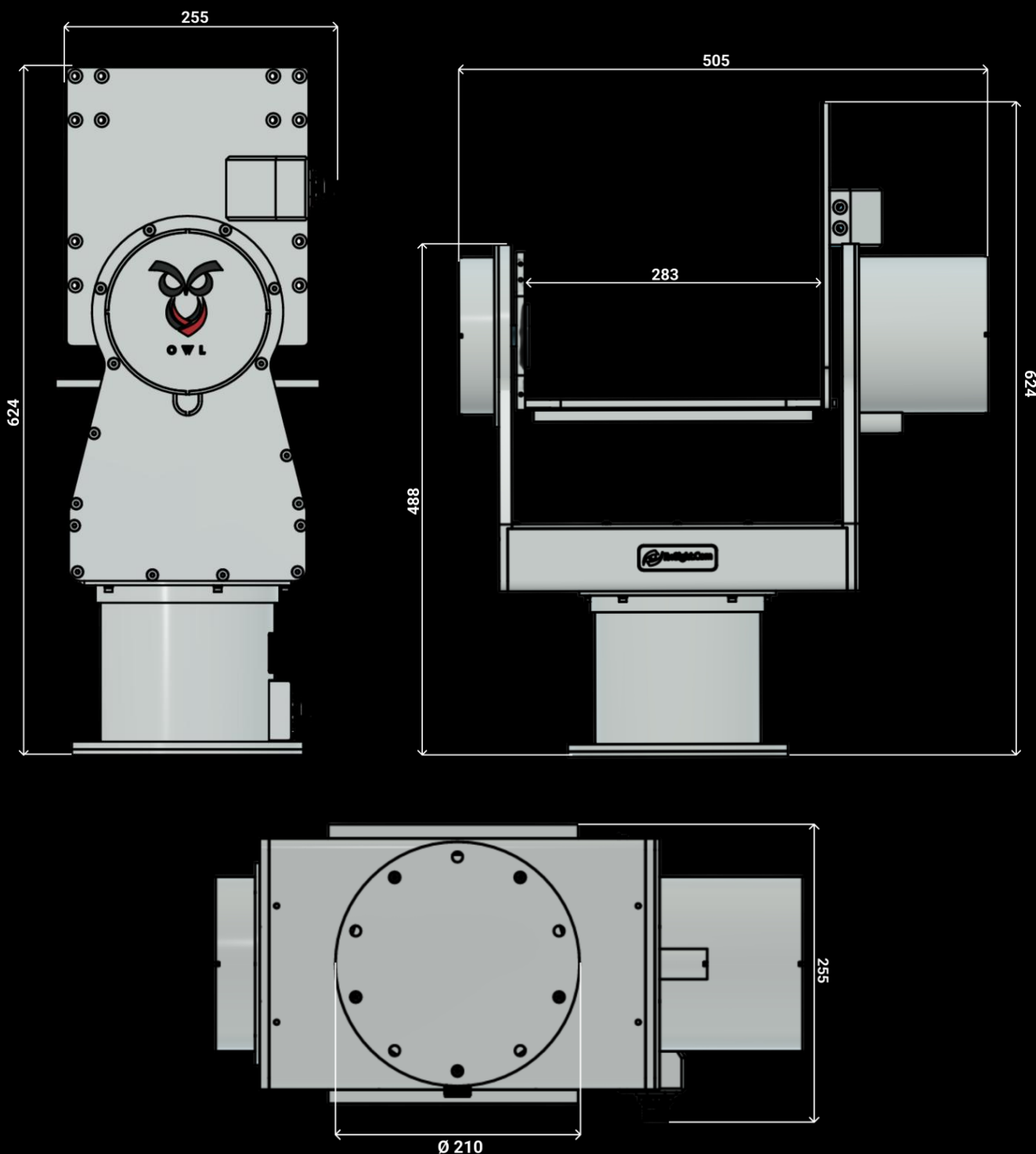
DIMENSIONS with camera (LxWxH, mm) 544x416x210



OWL-PT

HEAVY DUTY STABILIZED PAN TILT POSITIONER

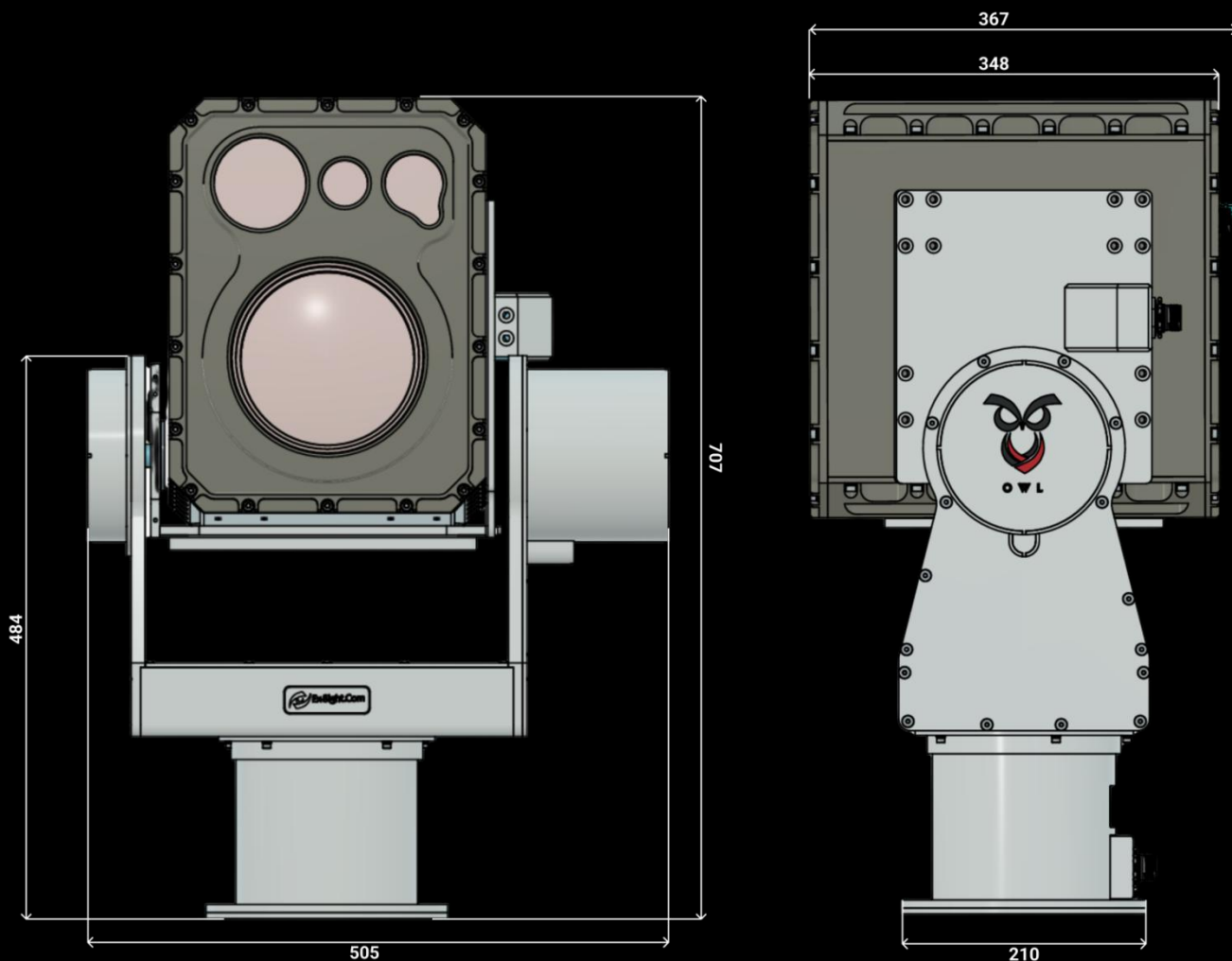
DIMENSIONS without camera (LxWxH, mm) 505x255x624
WEIGHT 18 kg



OWL-PT

HEAVY DUTY STABILIZED U-SHAPED PAN TILT POSITIONER

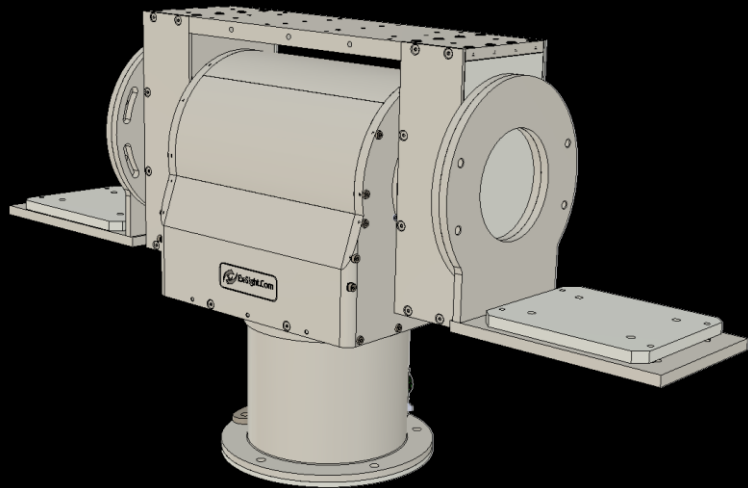
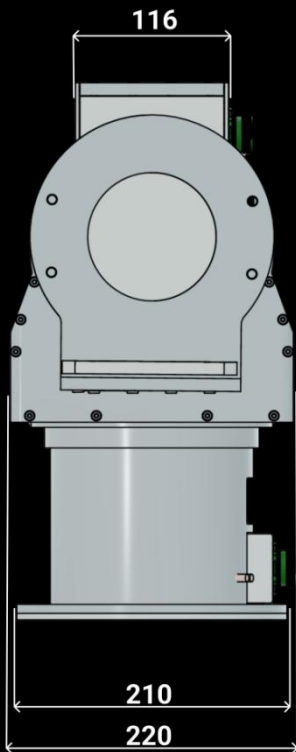
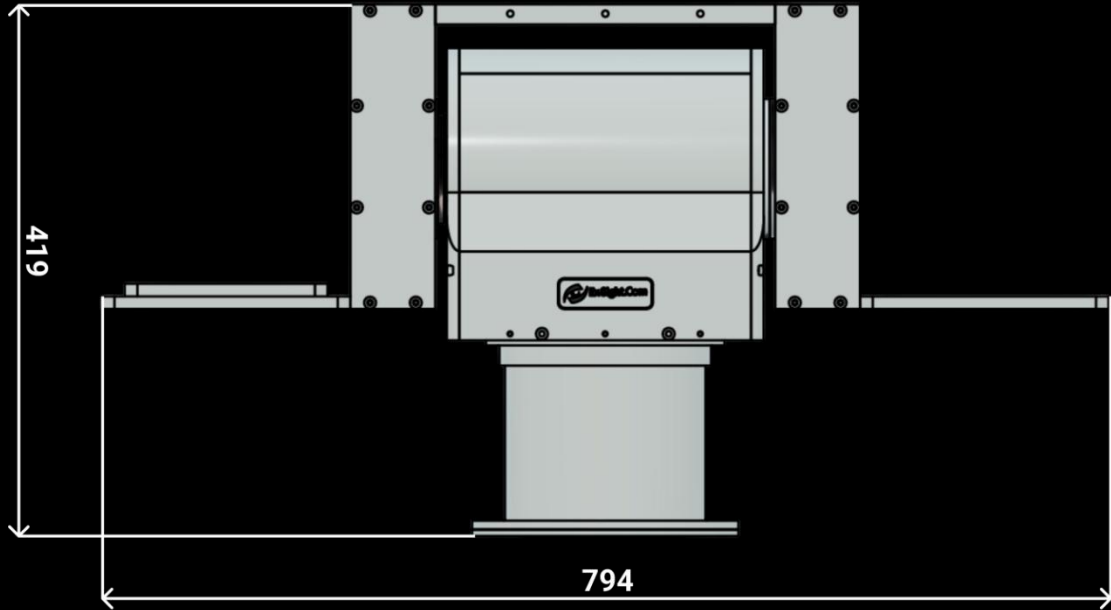
DIMENSIONS with camera (LxWxH, mm) 484x505x210



OMEGA-PT

HEAVY DUTY STABILIZED Ω-SHAPED PAN TILT POSITIONER

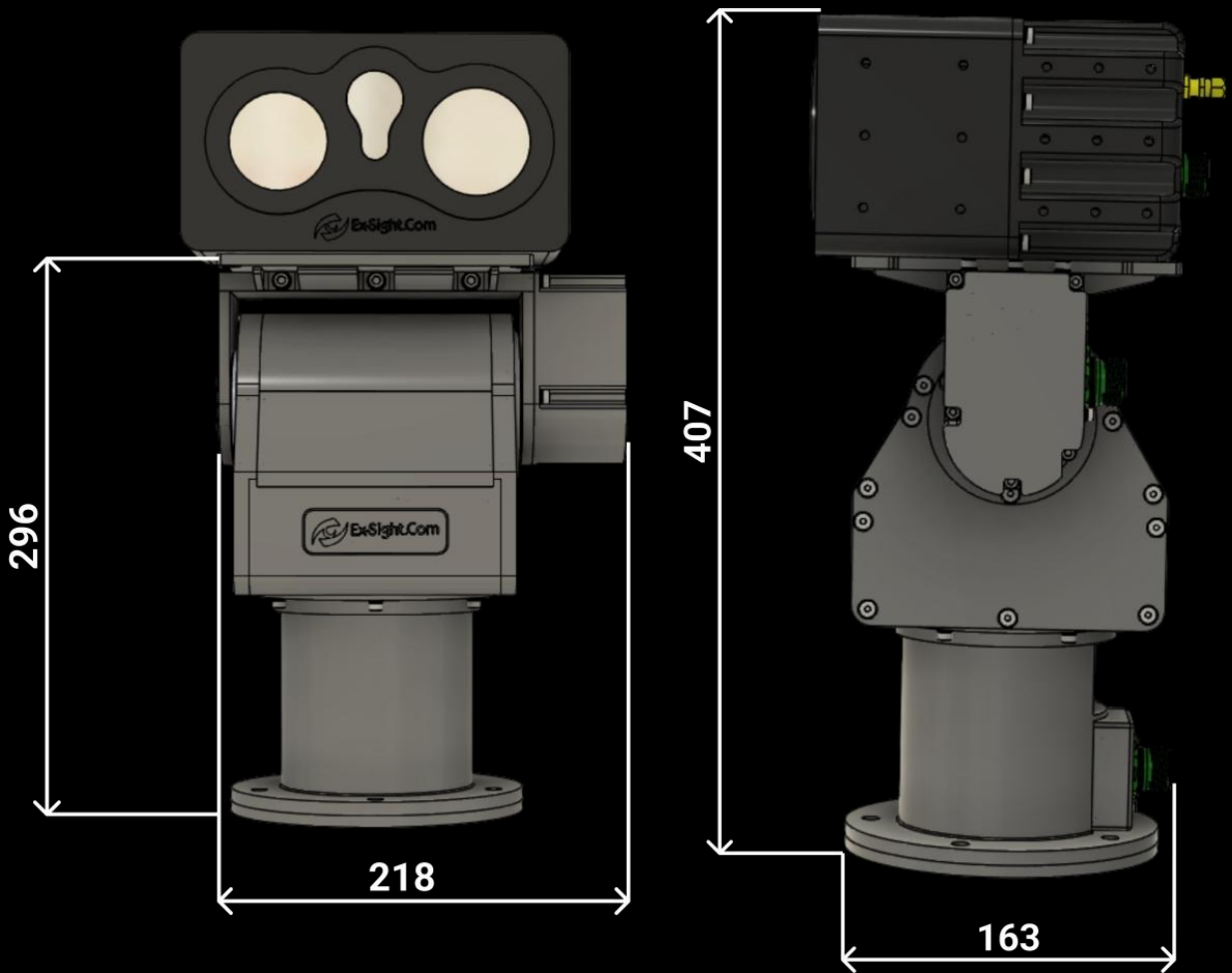
DIMENSIONS without camera (LxWxH, mm) 794x210x419
WEIGHT 16 kg



ALMA-PT

HEAVY DUTY MINI STABILIZED PAN TILT POSITIONER

DIMENSIONS without camera (LxWxH, mm) 218x163x296
WEIGHT 8,6 kg



FUSIONSERIES

Rugged Day & Night Driver Vision Enhancer and Electro-Optic Tracker



ONESHOT

- Up to 8.0MP 4K Day (VIS)
- Up to HD 1280x1024 Night
- Modular Integration for Manned & Unmanned Platforms
- Rugged Design, Hermetic Sealed IP-67, Nitrogen Purged
- Ethernet Interface, RTSP Streaming, Daisy Chain
- 12-40VDC Power Input

OZSERIES

Rugged Day & Night Driver Vision Enhancer and Electro-Optic Tracker

ExSight.Com

ONESHOT

- Up to 8.0MP 4K Day (VIS)
- Up to HD 1280x1024 Night
- Modular Integration for Manned & Unmanned Platforms
- Rugged Design, Hermetic Sealed IP-67, Nitrogen Purged
- Ethernet Interface, RTSP Streaming, Daisy Chain
- 12-40VDC Power Input

OZSERIES

Rugged Day & Night Driver Vision Enhancer and Electro-Optic Tracker



MODEL	OZ-1280-F	OZ-25-75
DAY SENSOR	GLOBAL SHUTTER X30 2048x1536 30 FPS H.265/H264	GLOBAL SHUTTER X30 2048x1536 30 FPS H.265/H264
FOV DAY SENSOR	x30 ZOOM 4.5mm-162mm FOV (H) 59.0° to 2.4°	x30 ZOOM 4.5mm-162mm FOV (H) 59.0° to 2.4°
THERMAL SENSOR	UNCOOLED LWIR 12 μm 1280x1024 LENS 13mm 30 FPS FOV 61°	UNCOOLED LWIR 12 μm 1280x1024 or 640x512 LENS 25-75 mm 1280x1024 FOV H*V (11,5°x9,3°~ 35,9°x28,5°) 640x512 FOV H*V (5,9°x4,7°~ 17,7°x14,1°)
LRF	8 KM NATO TARGET	8 KM NATO TARGET

LWIR DRI

DETECTION (m) NATO/HUMAN target	830/375	4791/2165	1567/721
RECOGNITION (m) NATO/HUMAN target	415/187	2395/1082	798/360
IDENTIFICATION (m) NATO/HUMAN target	311/140	1796/811	599/280

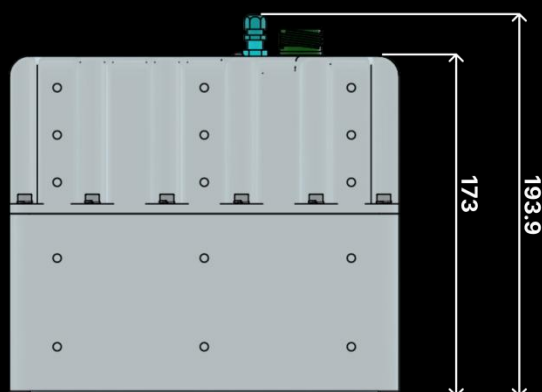
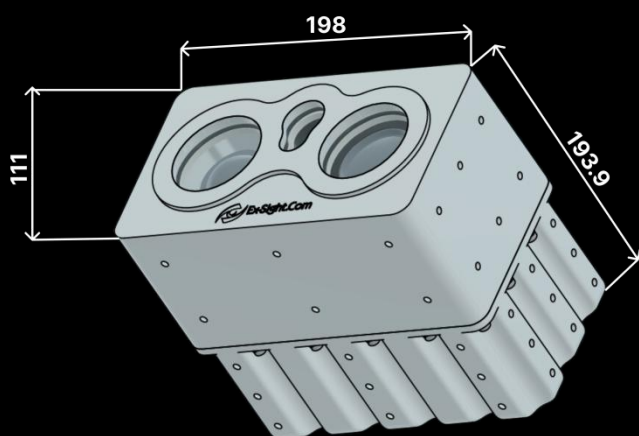
POWER	9-36VDC, NOMINAL 5.6W (MAX on LOAD 12W)		
DIMENSIONS (mm)	198x170x111	198 x200x130	
CONNECTOR	Stainless Steel Hermetic Connector D38999/23YC35PN		
WEIGHT (Kg)	4.7 kg	8 kg	
IP RATE	IP67 Nitrogen Purged		

OZ1280

Rugged Day & Night Driver Vision Enhancer and Electro-Optic Tracker

DIMENSIONS (LxWxH, mm) 198x173x111

WEIGHT 4,7 kg

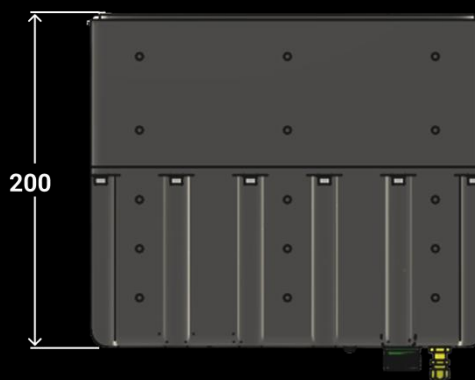


OZ25-75

Rugged Day & Night Driver Vision Enhancer and Electro-Optic Tracker

DIMENSIONS (LxWxH, mm) 240x200x130

WEIGHT 8 kg



FUSIONSERIES

Rugged Day & Night Driver Vision Enhancer and Electro-Optic Tracker

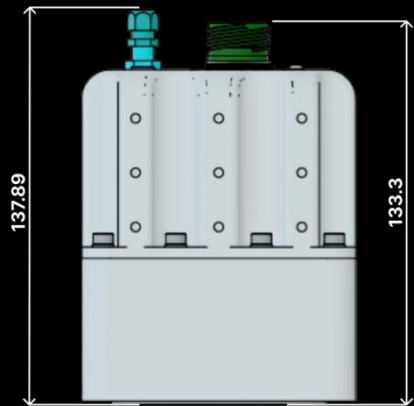
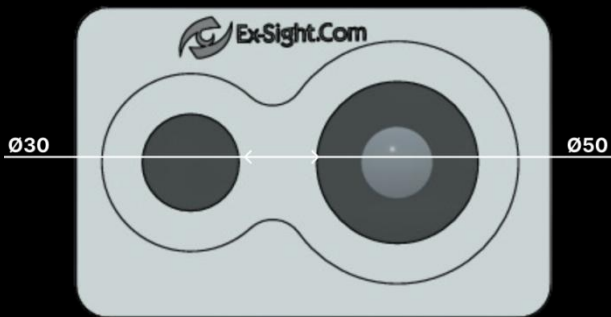
		
MODEL	FUSION1280	FUSION640
DAY SENSOR	4K 8.0MP IMX678 M12 LENS 30 FPS H.265/H.264/MJPEG	4K 8.0MP IMX678 M12 LENS 30 FPS H.265/H.264/MJPEG
FOV DAY SENSOR	DC DRIVE M12 FOV (H) 57° or 93°	DC DRIVE M12 FOV (H) 57° or 93°
THERMAL SENSOR	UNCOOLED LWIR 12 μm 1280x1024 LENS 13mm 30 FPS FOV 61°	UNCOOLED LWIR 12 μm 640x512 LENS 5.8mm 30 FPS FOV 67°
LRF	-	-
LWIR DRI		
DETECTION (m) NATO/HUMAN target	830/375	370/167
RECOGNITION (m) NATO/HUMAN target	415/187	185/83
IDENTIFICATION (m) NATO/HUMAN target	311/140	139/62
POWER	9-36VDC, NOMINAL 5.6W (MAX on LOAD 12W)	
DIMENSIONS (mm)	149x147x96	147x118x96
CONNECTOR	Stainless Steel Hermetic Connector D38999/23YC35PN	
WEIGHT (Kg)	3 kg	2.3 kg
IP RATE	IP67 Nitrogen Purged	

FUSIONSERIES

Rugged Day & Night Driver Vision Enhancer and Electro-Optic Tracker

DIMENSIONS (LxWxH, mm) 147x119x96

WEIGHT 2,3 kg



SENSOR POSITIONING



HORIZONTAL



VERTICAL

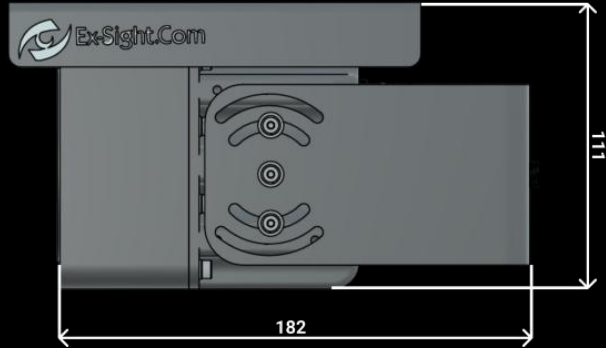
FUSIONSERIES

Rugged Day & Night Driver Vision Enhancer and Electro-Optic Tracker

Bracket Options

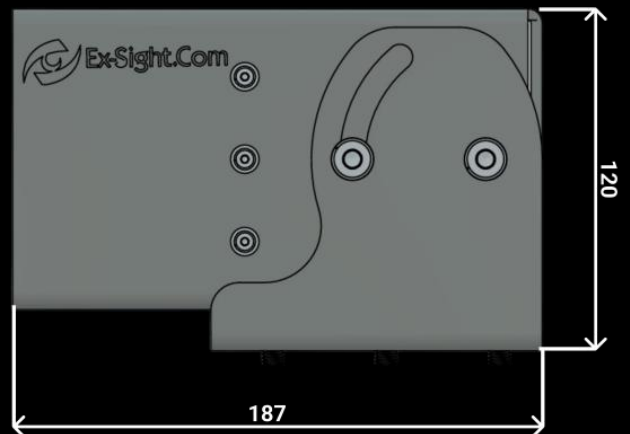
DIMENSIONS

FUSION-F-BRKT-01



DIMENSIONS

FUSION-F-BRKT-02



FPS:13

Horizon :197

Frame Time :70 Ms D34-10

Frame Calc Time :71 Ms



EX-SIGHT ADVANCED ELECTRO-OPTICS

xEyeSERIES

Rugged LWIR / Low Light Electro-Optic Sensor

xEyeSERIES

Rugged LWIR / Low Light Electro-Optic Sensor



MODEL	xEye-N Day	xEye-N LWIR	xEye-Z Day	xEye-Z LWIR	xEye
SENSOR	LOW LIGHT Up to 3840x2160 / 8MP 4K LENS 5mm FOV 70.7°x43.5° LENS 4mm FOV 84.6°x45.9°	UNCOOLED LWIR 12 μm 640x512 LENS 5.8mm FOV 69.4° x57.3° LENS 4mm FOV 88.4° x74.3°	LOW LIGHT 2560x1440 x40 Zoom 4,25mm-170mm FOV 73,8° to 2,16° or LOW LIGHT 2048x1536 x30 Zoom 5,5mm-162mm FOV 46,5° to 2,2°	UNCOOLED LWIR 12 μm 1280x1024 LENS 13mm FOV 69.4° x57.3°	FULL HD 1920x1080 x36 Zoom 4, mm H-FOV 90° V-FOV 46°
POWER	9-36 VDC <2W MAX				
OPERATING TEMP	-20°C to +80°C				
DIMENSIONS (mm)	90x90x144	90x90x144	100x100x181	100x100x181	62x62x85
INTERFACE	ETHERNET INTERFACE				
CONNECTOR	Hermetic Stainless Steel D38999/23YB35PN				
WEIGHT (Kg)	1.2 kg	1.3 kg	1.4 kg	1.4 kg	0.38 Kg
SEALING	Nitrogen Purged	Nitrogen Purged	Nitrogen Purged	Nitrogen Purged	NONE
IP RATE	IP67	IP67	IP67	IP67	IP66

xEye-N

Rugged LWIR / Low Light Electro-Optic Sensor

DIMENSIONS (LxWxH, mm) 90x90x144

WEIGHT 1.2/1.3 Kg

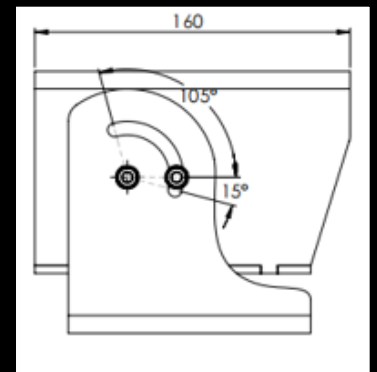
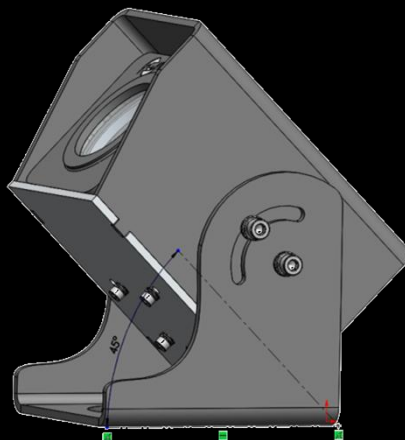
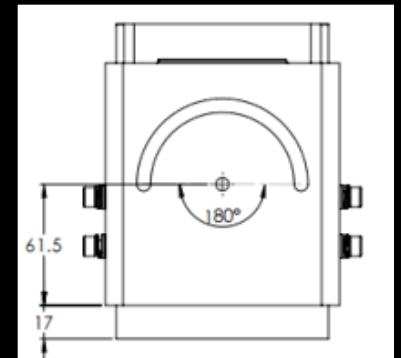
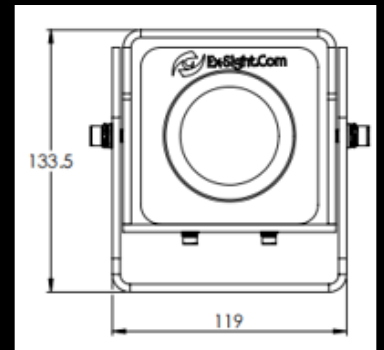
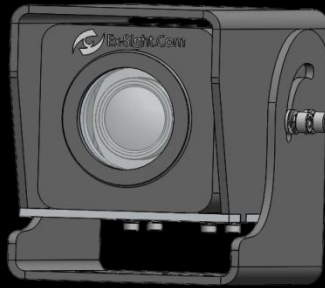
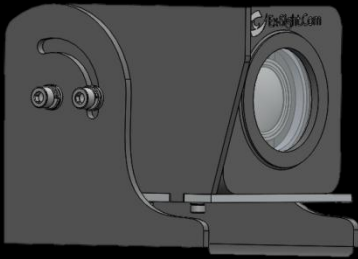


xEye-N with Bracket

Rugged LWIR / Low Light Electro-Optic Sensor

DIMENSIONS (LxWxH, mm) 119x160x133.5

WEIGHT 2.3Kg

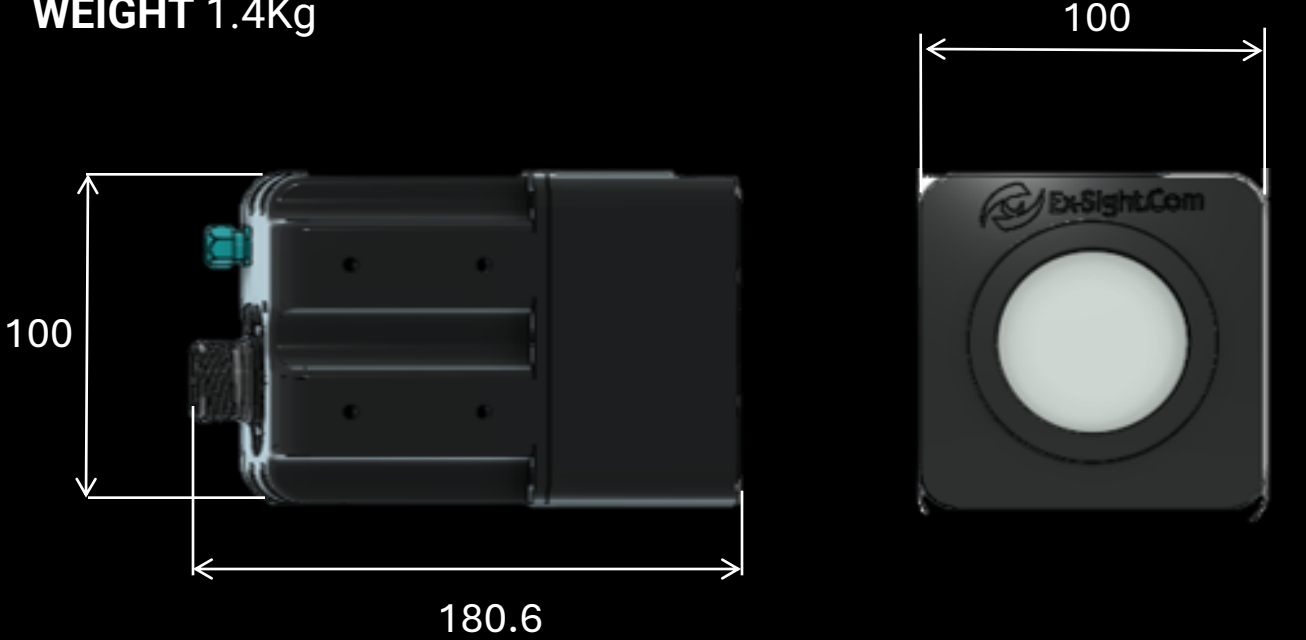


xEye-Z

Rugged LWIR / Low Light Electro-Optic Sensor

DIMENSIONS (LxWxH, mm) 100x100x181

WEIGHT 1.4Kg



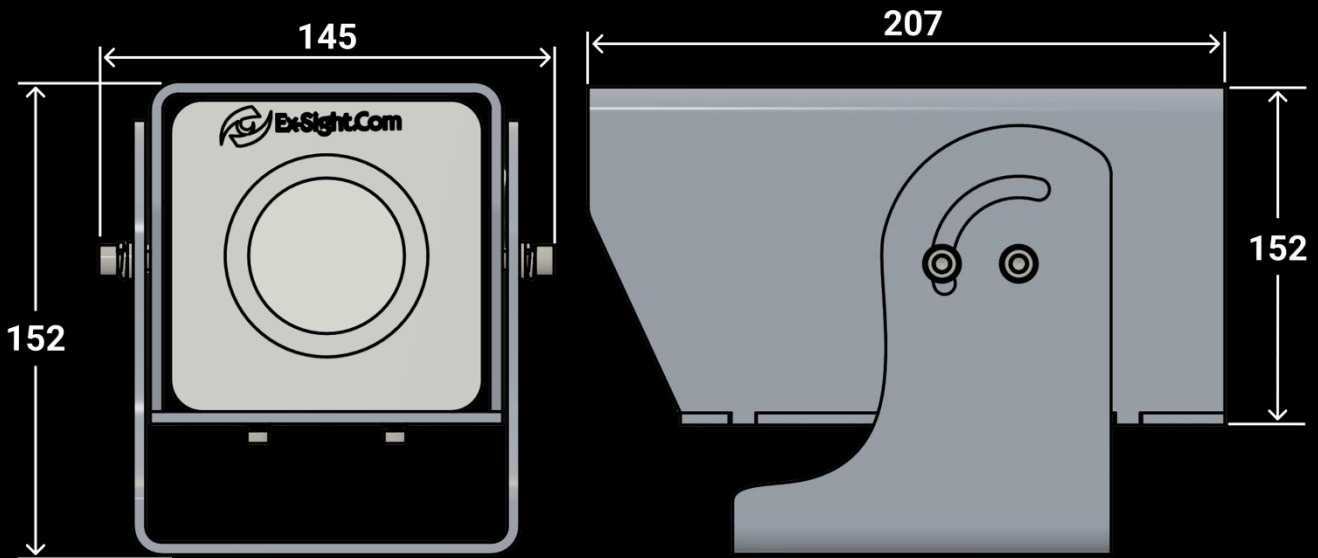
xEye-Z with Bracket

Rugged LWIR / Zoom Day Electro-Optic Sensor with Bracket

xEye-Z

DIMENSIONS (LxWxH, mm) 207x152x145

WEIGHT 2.4Kg



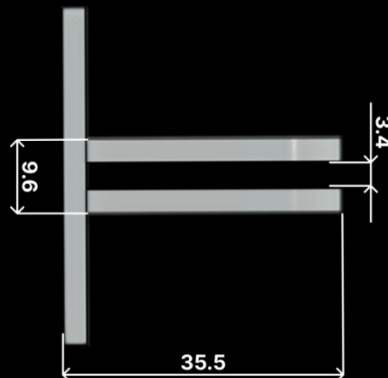
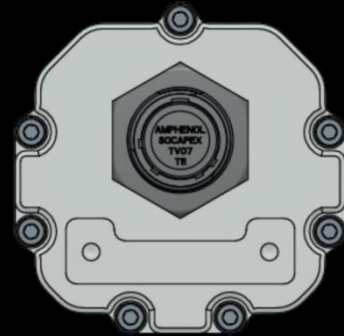
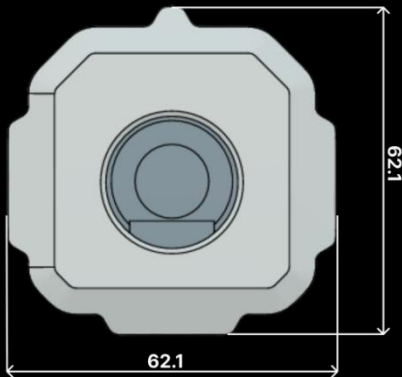
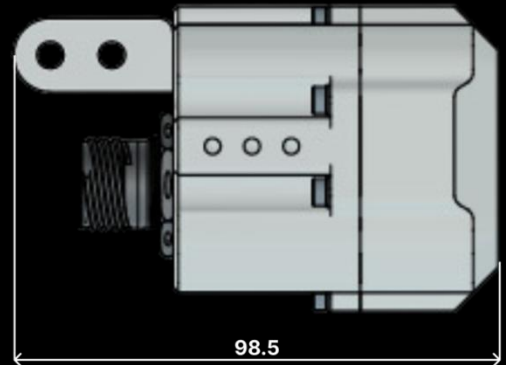
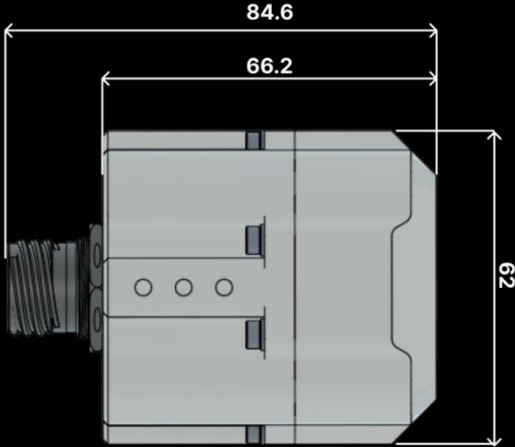
xEye

Micro Rugged Low Light Electro-Optic Sensor

xEye

DIMENSIONS (LxWxH, mm) 62x62x85

WEIGHT 352g



xEye with Bracket

Micro Rugged Low Light Electro-Optic Sensor

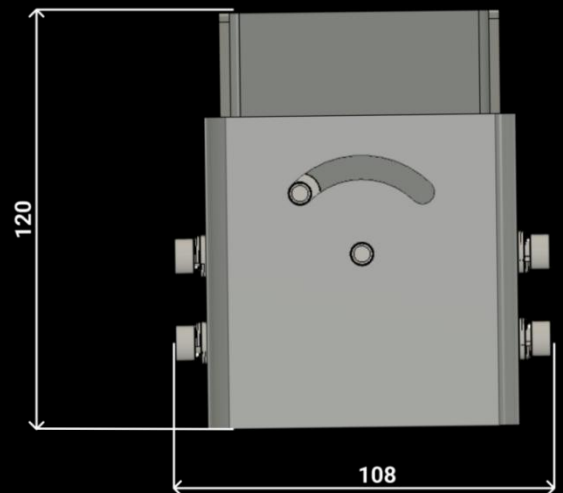
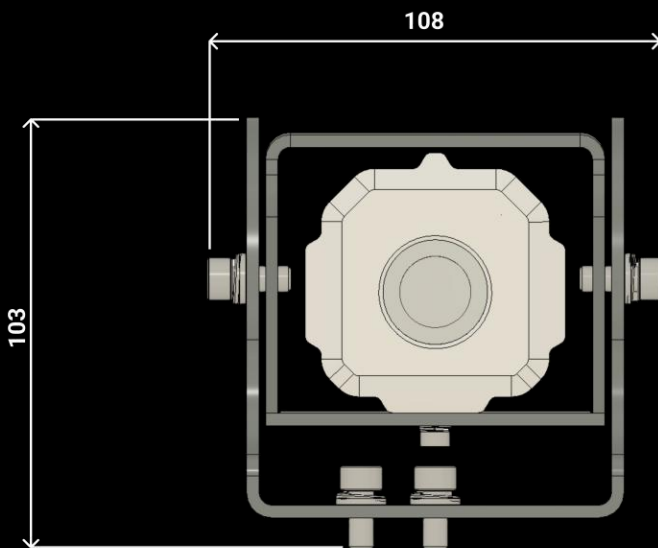
BRACKET DIMENSIONS

xEye-BRKT-M/MS

xEye-BRKT-[BT]

M MATTE BLACK RAL 9005 ALUMINUM
BRACKET

MS BLACK STEEL BRACKET



EX-SIGHT ADVANCED ELECTRO-OPTICS



AIXSERIES

Rugged AI Neural Processing Unit



AixSERIES

Rugged AI Neural Processing Unit

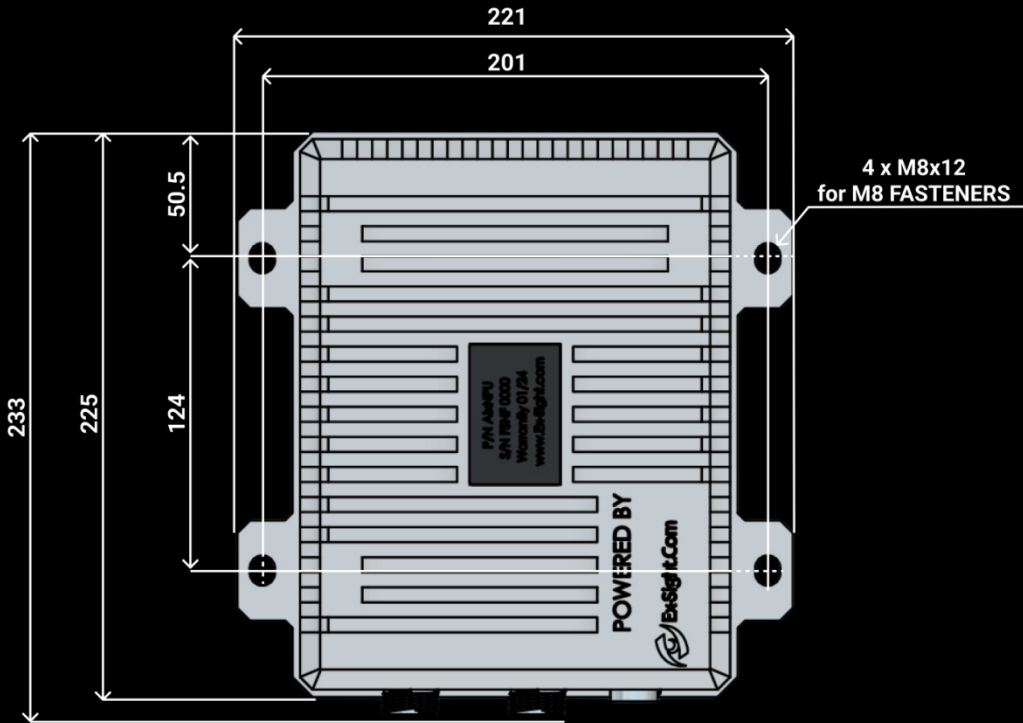
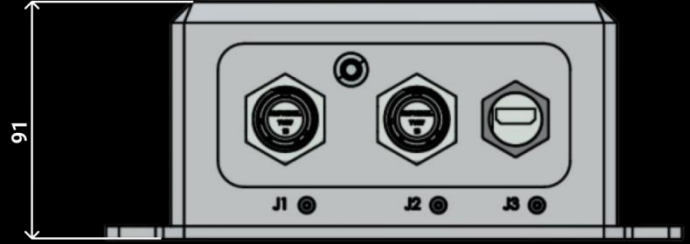
				
	AixNPU	AixGPU	AixNPU2	AixNPU-360Kit
OS	MICROSOFT WINDOWS 11	UBUNTU LINUX	MICROSOFT WINDOWS 11	MICROSOFT WINDOWS 11
CPU	Intel® Core™ Ultra	NVIDIA ORIN 64GB FORECR	Intel® Core™ Ultra	Intel® Core™ Ultra
RAM	64GB	64GB	64GB	64GB
STORAGE SSD	1TB	256GB	1TB	1TB
DISPLAY	2 x HDMI 2.1 TMDS	HDMI 2.0 (MAX RESOLUTION 3840x2160)	5 x 4K	2 x HDMI Ports MIL.STD Connector
ETHERNET	2.5 Gigabit LAN	1x Gigabit Ethernet	2.5 Gb Ethernet port	2.5 Gigabit LAN
PERIPHERALS	1 x USB4 2 x M.2 Key M, 1 x M.2 Key E (WiFi-6E Module) 2 x HDMI 2.1 TMDS 1 x DP 2.1 (from Type-C) 1 x DP 1.4a (from Type-C)	2x USB 3.1 Type-A 1x CAN Bus 1x RS232/422/485 (software configurable) 2x USB-C (Debug/Recovery) 2x Digital Input 3x Digital Output	2 x USB 3.2 Gen2 Type-A 1 x USB 3.2 Gen2 Type-C 1 x 3.5mm Combo Audio Jack 1 x Thunderbolt 4 Type-C/ DisplayPort™ 2.1 4 x USB 3.2 Gen 2 Type-A 1 x RJ45 LAN 1 x DC-in 1 X Kensington Lock	1 x USB4 2 x M.2 Key M, 1 x M.2 Key E (WiFi-6E Module) 2 x HDMI 2.1 TMDS 1 x DP 2.1 (from Type-C) 1 x DP 1.4a (from Type-C)BUZZER ALARM
POWER SUPPLY	9-40VDC-DC POWER SUPPLY WITH EMI FRI FILTER			
DIMENSIONS (mm)	221x225x91	228x105x277	370x328.3x139	250x250x150
OUTPUT VIDEO OPTIONS	HDMI, 2 x FULL HD RTSP (H.264/265) (EMBEDDED HARDWARE)	HD-SDI, HDMI	HDMI 2.1 FRL DP 2.1	HDMI

*Each model is available with a Vento option

AixNPU

Rugged AI Neural Processing Unit

DIMENSIONS (LxWxH,mm) 221x225x91
WEIGHT 6 kg

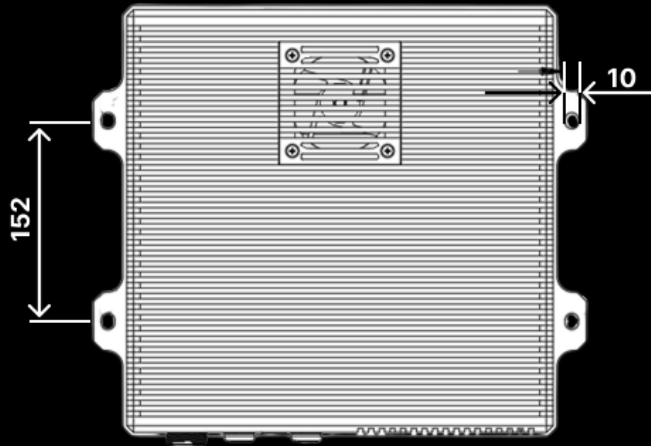
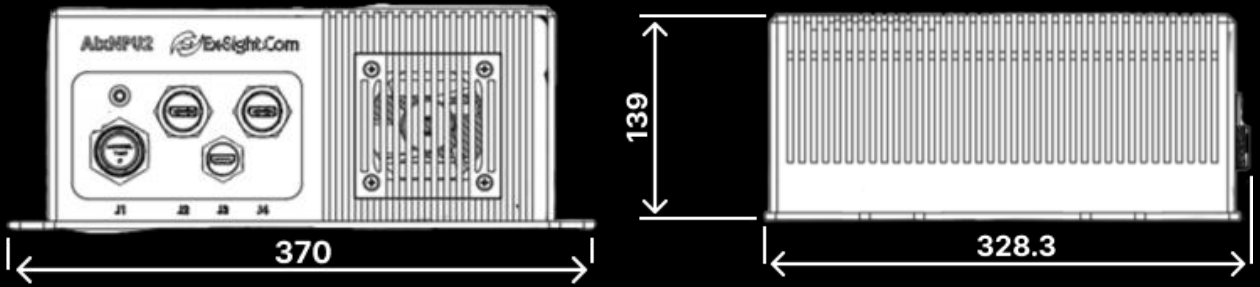


AixNPU2

Rugged AI Neural Processing Unit

DIMENSIONS (LxWxH, mm) 370x328.3x139

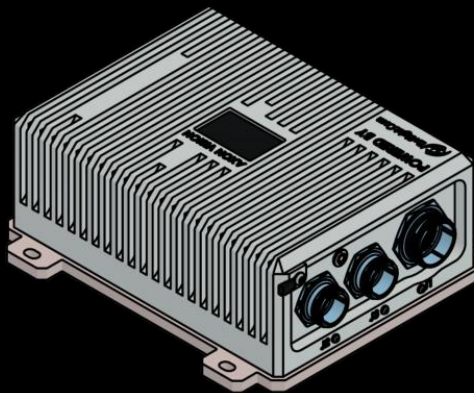
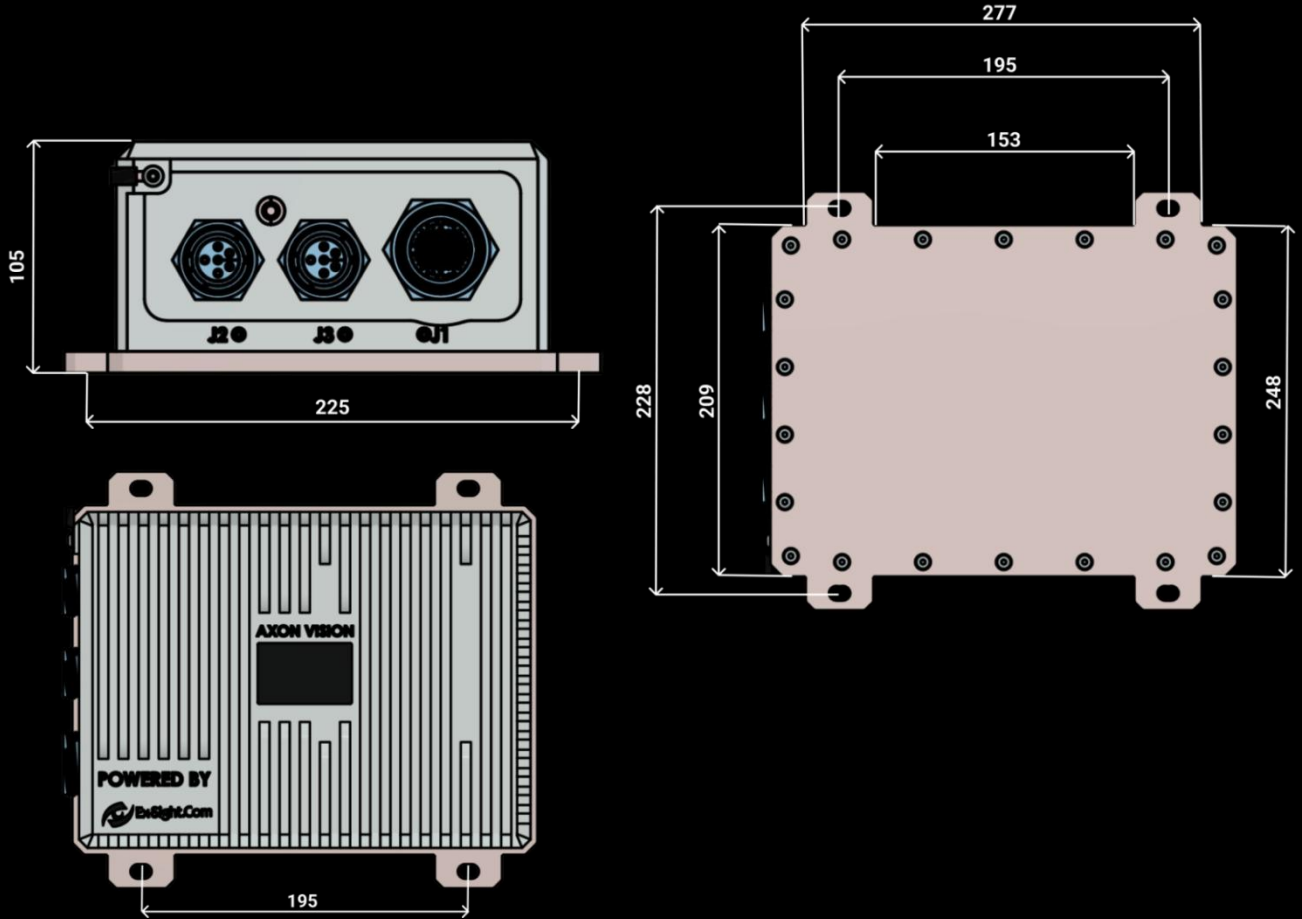
WEIGHT ... kg



AixGPU

Rugged AI Neural Processing Unit

DIMENSIONS (LxWxH, mm) 228x105x277
WEIGHT 8.1kg

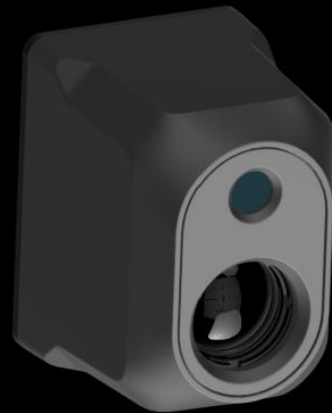


microSENSOR

Rugged LWIR / Low Light Electro-Optic Sensor

microSENSORE

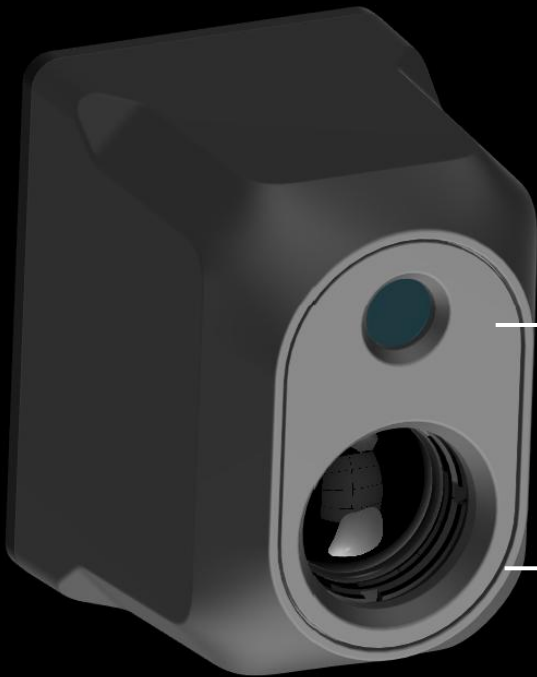
Day Camera Optics	Kontatsu B0623D01-0, EFL 4.8mm, 67° HFOV, F/# 1/2.3
Day Camera Sensor	9248 x 6944 pixels (64.2 MP), 0.7 μ m pitch
Day Camera Video	Full resolution @ 60 Hz
FOV - Horizontal	32°
Frame Rate	Full resolution @ 60 Hz
IMU	TDK ICM20602
IR Camera Optics	EFL 13.6mm, 32° HFOV, F/# 1.0
IR Camera Video	Full resolution @ 60Hz
Pixel Pitch	12 μ m
Resolution	640 x 512
Sensitivity [NEΔT]	<20 mK
Thermal Imaging Detector	LWIR 640x512 pixels, 12mm pitch
Video interface	RTSP/Ethernet
Compliance and Certifications	NDAA compliant
Environmental Sealing	IP54 (with the rear interfaces sealed)
Operational & Storage Temperature	-20°C to +60°C
Tested EMI Performance	FCC part 15 Class B



EX-SIGHT ADVANCED ELECTRO-OPTICS

microSENSOR

Rugged LWIR / Low Light Electro-Optic Sensor



DAY 9248 x 6944 pixels
64.2 MP, 0.7 μm pitch

LWIR 640x512 pixels
12mm pitch

6 DOF IMU
High Performance 6-Axis MEMS
Motion Tracking Device

microGIMBAL

Miniature Gyro Stabilized GIMBAL

Built-In Functions

- 1 Operation Modes ON/OFF, Follow mode, Mapping mode
- 2 New generation IMU Sensor
- 3 Gimbal Mavlink Protocol supported



DAMPING SYSTEM

Standard damping
Custom damping



MAVLINK DRONE SUPPORT

FC: CubePilot, Pixhawk, Skynode
Autopilot: PX4/ArduPilot



ULTRA COMPACT & LIGHTWEIGHT DESIGN

Weight: 164g/ 0.36 lbs



WORKING CURRENT

Static current	0.06A
Dynamic current	0.1A
Locked motor current	2.3A

Operating Temperature 14°F~120°F (-10°C~50°C)

Gimbal Mount	Bottom
Third Party Control	Sbus, MAVLink
Input power	15V-52V
Connections	USB 2.0, UART, Sbus
PC Assistant Software Requirements	Windows XP or above; Mac OS X 10.9 or above
Mobile Assistant Software Requirements	iOS 7.1 or above; Android 4.3 or above

Weight 164g

Gimbal Dimension (DxWxH) 90x63x98 (mm)

PERFORMANCE

Angular Vibration Range ± 0.01°

Max. Rotation Speed	Pan axis	100°/s
	Tilt axis	100°/s
	Roll axis	100°/s

Mechanical Endpoint Range	Pan axis	±170°
	Tilt axis	±170°
	Roll axis	-260° to 80°

Controlled Rotation Range	Pan axis	±165°
	Tilt axis	±120°
	Roll axis	±40°