

MICRO RUGGED LOW LIGHT SENSOR



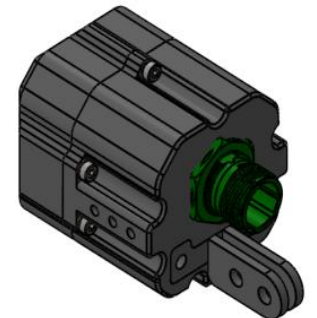
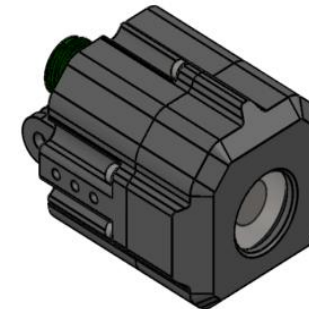
xEye



xEye is a ruggedized micro digital sensor that was created for superior low light vision scenarios.

xEye is IP67, all-weather robust, light weight and unobtrusive. Resistant towards challenging environmental conditions, such as water damage, failure of electrical, mechanical, and optical components.

xEye provides both digital (Ethernet) and analog (CVBS) video streams. It has Mil.STD D38999 connector with Hard Anodized aluminum chassis, and sapphire window.



MICRO RUGGED LOW LIGHT SENSOR



xEye

IMAGING SENSOR

1/2.8" SONY IMX 327 2.16MP WDR PROGRESSIVE SCAN CMOS,
FULL HD 1920x1080 PIXELS, COLOR: 0.05 Lux @ F1.4, B/W: 0.02 Lux @ F1.4, 0
Lux WITH IR, FRAME RATE 30 fps, FULL HD + FULL D1 + CVBS , ELECTRONIC
SHUTTER SPEED 1/10000s to 1/25s

FOV

LENS 4mm DC DRIVE M12, FOV (H) 84.6° (V) 45.9° (D) 100.0°

INTERFACES

CVBS COMPOSITE VIDEO + ETHERNET (RTSP/HTTP)

PROTOCOLS

H.264 / H.265 / MJPEG, H.264 BP/MP/HP, SUPPORTED PROTOCOLS RTSP
H.265/H.264, ONVIF, VIDEO OUTPUT (WEB+RTSP)

LOW LIGHT MODE

INTEGRATED ICR, OPTIONAL EXTERNAL IR

POWER

12VDC <2.1W MAX

ENVIRONMENTAL

IP67 CHASSIS, EASY MOUNTING, OPERATING TEMP -20°C to +80°C

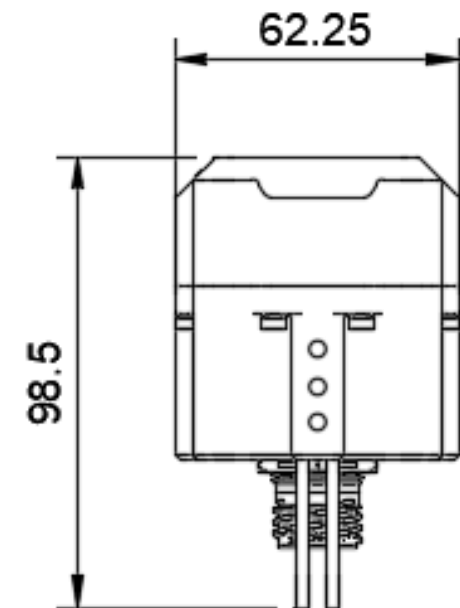
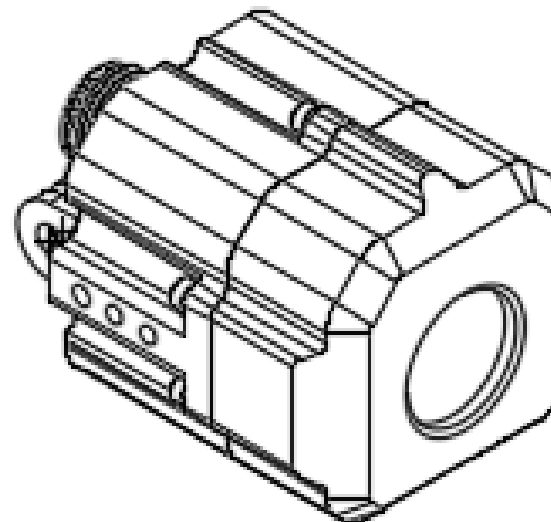
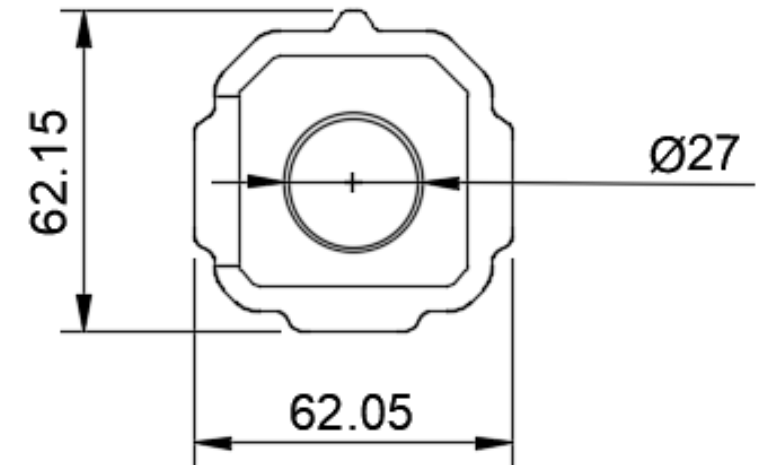
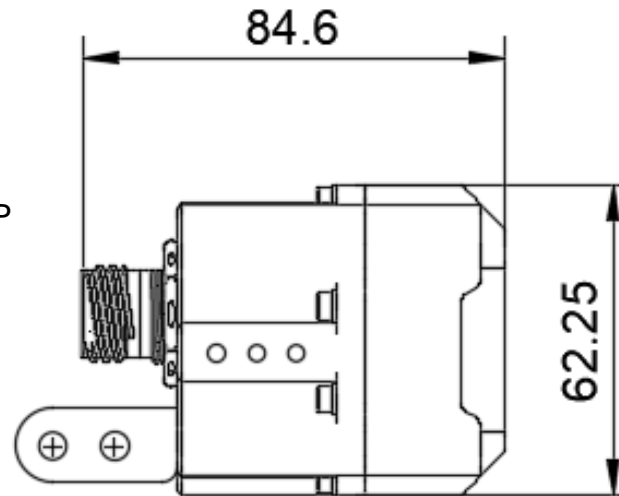
DIMENSIONS

(LxWxH, mm) 62x62x85, WEIGHT 360 g

SD CARD RECORDING OPTION

xEye-M

DIMENSIONS (mm)



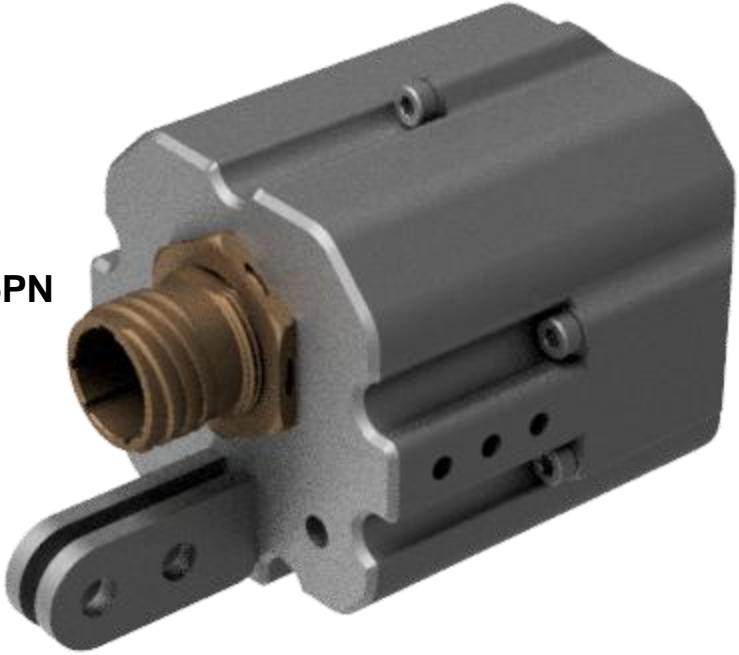
MICRO RUGGED LOW LIGHT SENSOR

PANEL Pin Layout
D38999/24WB35PN
(MATE D38999/26WB35SN)



PIN#	DESCRIPTION
1	+12VDC INPUT POWER
2	GND INPUT POWER
3	ETHERNET TX-P
4	ETHERNET TX-N
5	ETHERNET RX-P
6	NC
7	NC
8	NC
9	NC
10	NC
11	ETHERNET RX+ N
12	COMPOSITE VIDEO SIGNAL
13	COMPOSITE VIDEO GND

D38999/24WB35PN



OPTIONAL BRACKET

Universal ball adapter support
Part#:RAP-B-202U-GOP1



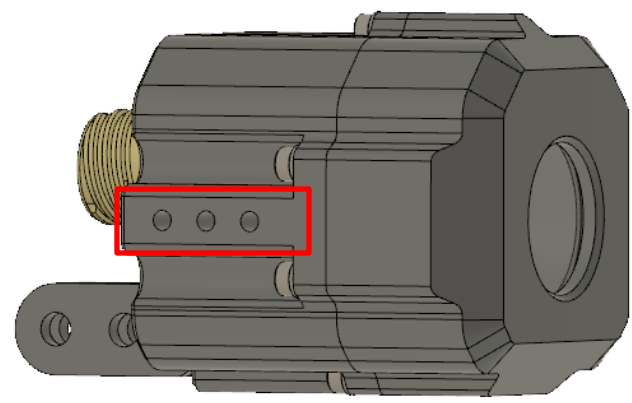
MICRO RUGGED LOW LIGHT SENSOR

EASY INSTALLATION

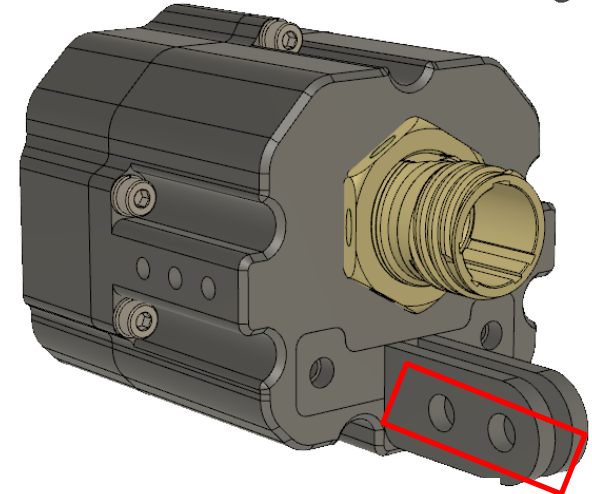
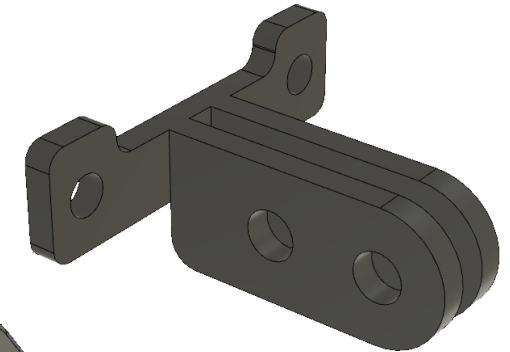
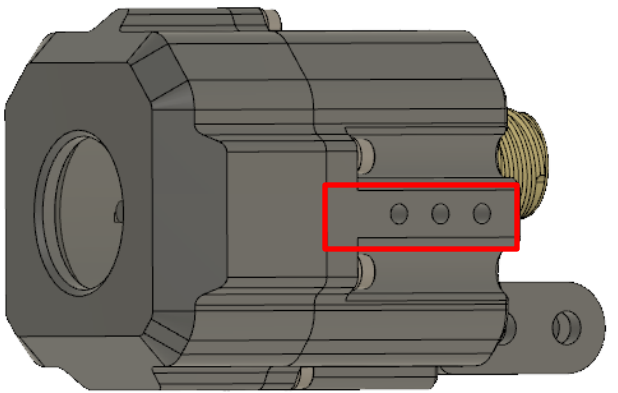
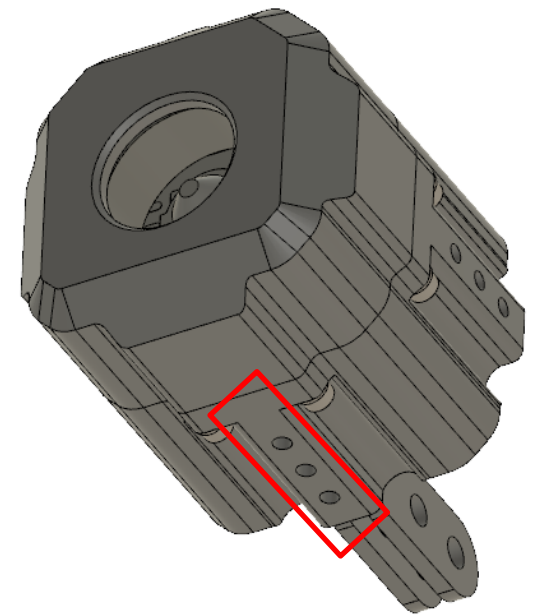
By default the chassis has three options for mounting the camera



The mounting bracket on the camera is another mounting option



M4 Mounting screws



M5 Pass-through

