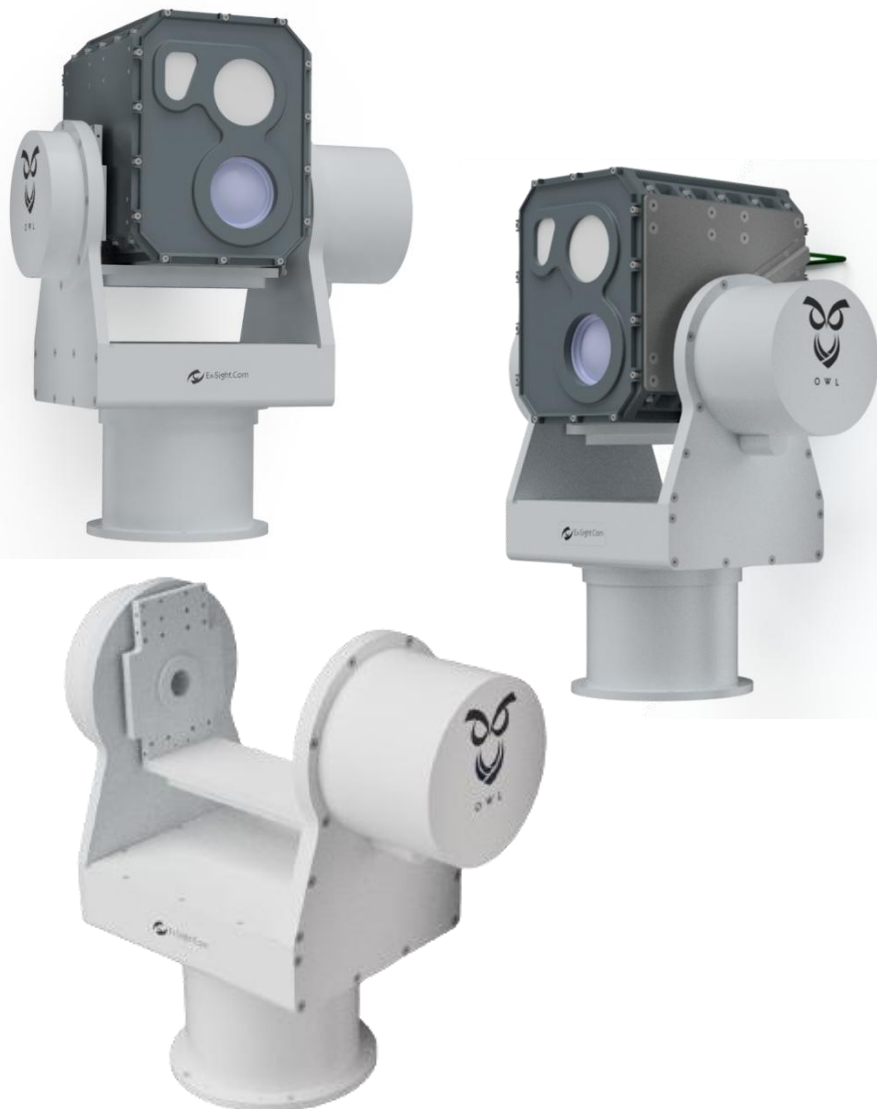


GYRO STABILIZED PAN TILT



OWL

The **OWL** was designed to allow high precision continuous 360 stabilized platform for the Sight family
The OWL supports up to 30 Kg payloads

Product Highlights

- True North Dual GPS INS
- Light Weight Rugged Aluminum structure
- Ethernet interface
- High power precision motors
- Embedded braking system
- Low power consumption on idle



GYRO STABILIZED PAN TILT

SPECIFICATION

MAX SPEED	20 RPM, up to 120°/sec
MAX PAYLOAD	30 kg
ACCURACY	0.01° Deg
MOTION RANGE AZIMUTH	Cont. 360° Deg
MOTION RANGE ELEVATION	Cont. 360° Deg
CONTROL INTERFACE	ETHERNET (UDP)
SENSOR INTERFACE	ETHERNET (UDP)
POWER SUPPLY	24VDC
MAX CURRENT (LOADED)	16A@24VDC
ENVIRONMENTAL PROTECTION	IP66
TRUE NORTH INS GPS	DUAL ANTENNA GNSS-AIDED INERTIAL NAVIGATION
DIMENSIONS LxWxH (mm)	442X412X210 mm



OWL

PART NUMBERING

OWL-[INS]-[MODEL]

[INS] BLANK – No INS, No Gyro stabilization
INS– Dual Antenna GNSS-Aided Inertial Navigation

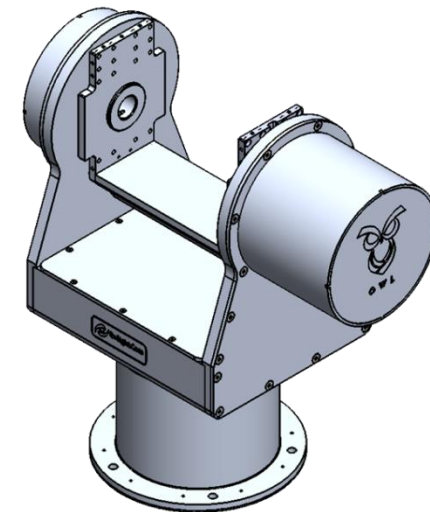
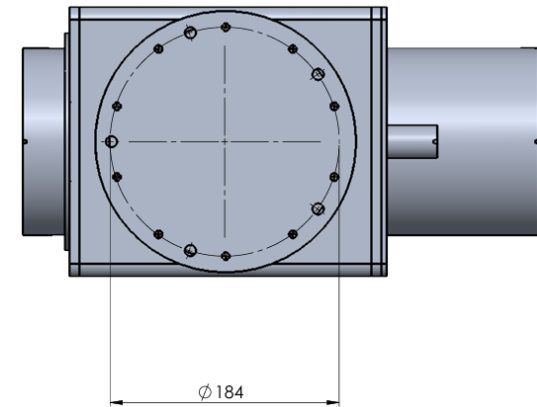
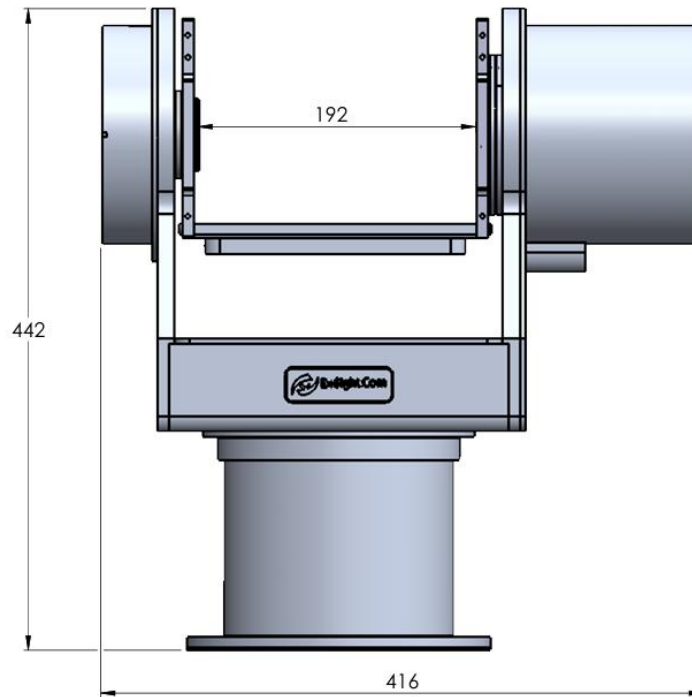
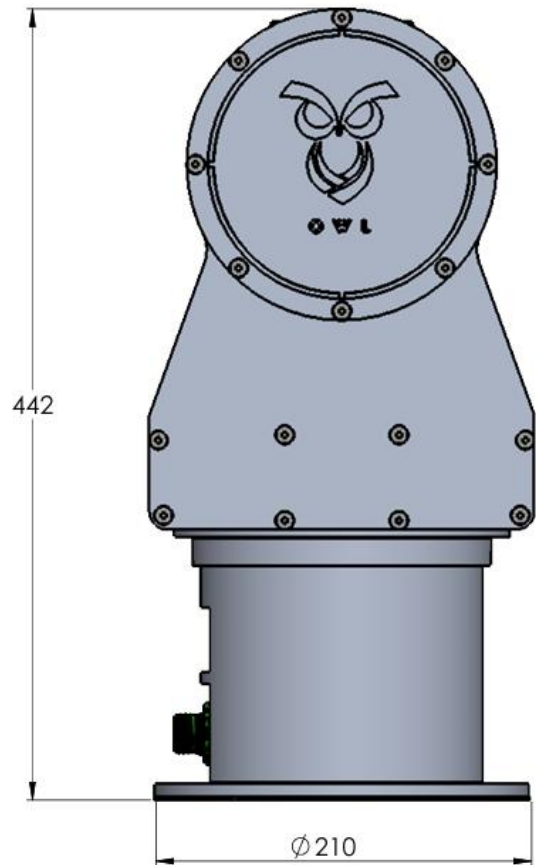
[MODEL] BLANK – Standard
17 - Elevation motor size 17 (28.2 NM)
32 - Elevation motor size 32 (159 NM)



DIMENSIONS (mm)

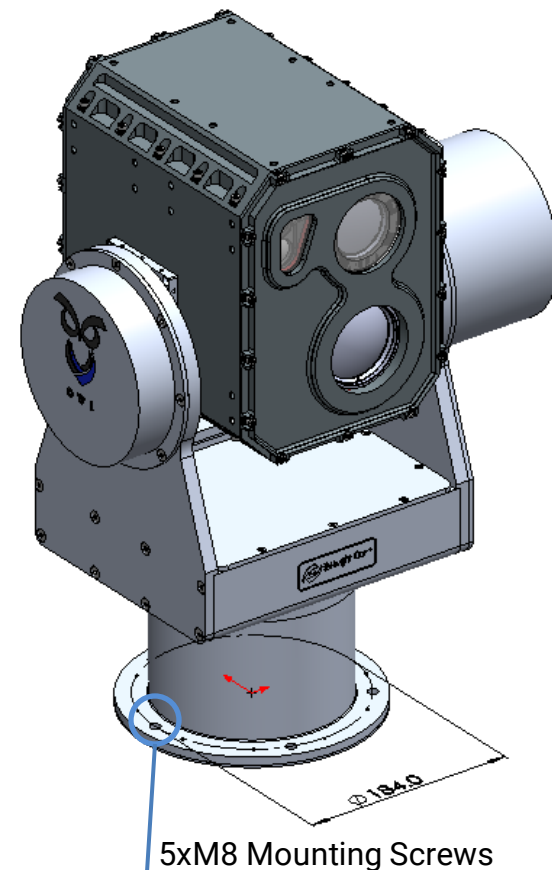
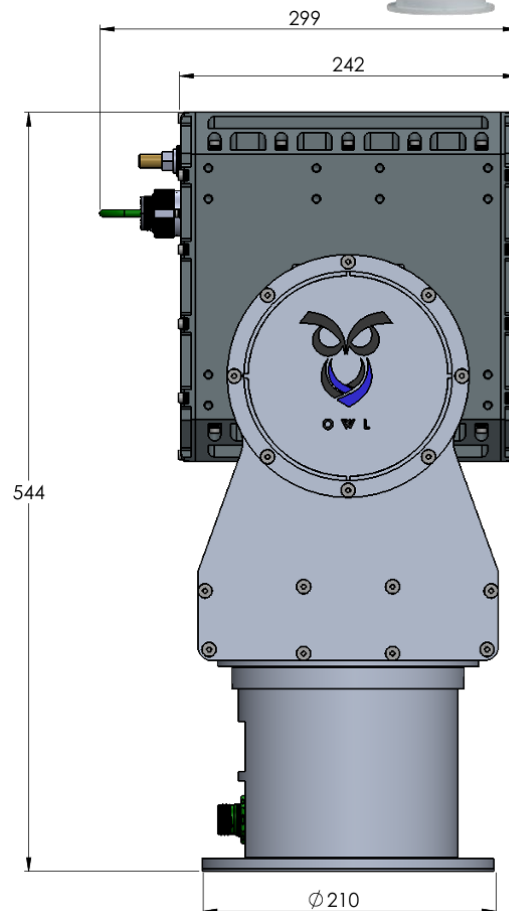
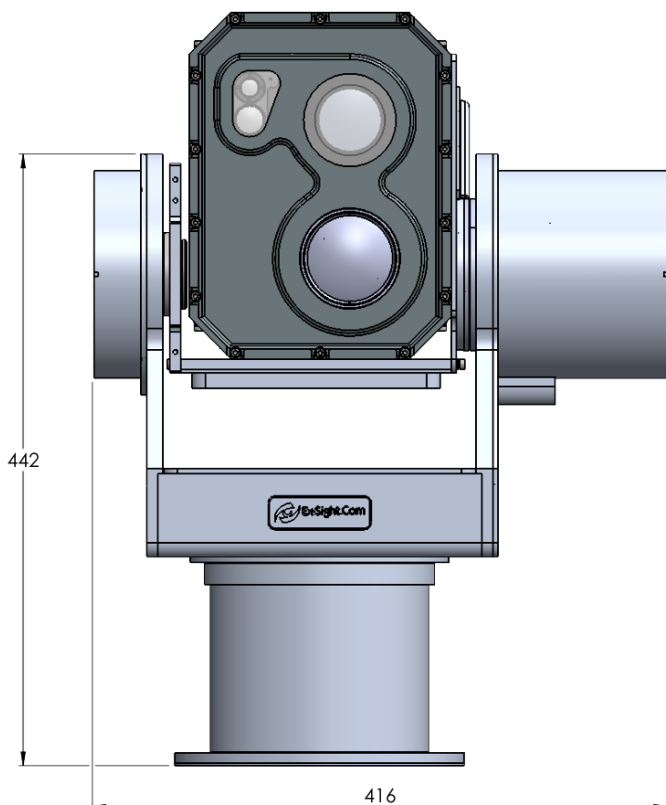


OWL



DIMENSIONS with camera(mm)

OWL



PRODUCT PIN LAYOUT

OWL

PANEL Pin Layout
D38999/23YC35PN
Stainless Steel Hermetic Connector



PIN#	DESCRIPTION
1	GND POWER IN
2	GND POWER IN
3	GND POWER IN
4	GND POWER IN
5	GND POWER IN
6	GND POWER IN
7	+24VDC POWER IN
8	+24VDC POWER IN
9	+24VDC POWER IN
10	+24VDC POWER IN
11	+24VDC POWER IN
12	+24VDC POWER IN
13	ETHERNET (1) White Orange TX+
14	ETHERNET (2) Orange TX-
15	ETHERNET (3) White Green RX+
16	ETHERNET (4) Blue RX-
17	ETHERNET (5) White Blue
18	ETHERNET (6) Green
19	ETHERNET (7) White Brown
20	ETHERNET (8) Brown
21	GND POWER IN
22	+24VDC POWER IN