

OZ



OZ

Is the next generation powerful dual digital vision system with LRF for situational awareness packed in minimal package

- 1600x1300@60fps Global Shutter x36 zoom Day Sensor
- 1280x1024 12 μ m 13mm 70 deg High Resolution LWIR Detector
- 3,500m NATO target Laser Range Finder
- Ethernet Interface, ONVIF support, embedded switch
- Hermetic IP-6, Nitrogen Purged, Military Grade
- CNC Aluminum Chassis
- 9-36VDC Power Stabilizer

OZ SYSTEM SPECIFICATION

HD GLOBAL SHUTTER X36 DAY SENSOR

1/2.8" 2MP PROGRESSIVE SCAN GLOBAL SHUTTER
CMOS, 1600X1300@60FPS/30FPS, H.265/H264
COMPRESSION, LENS F=4.5MM~162MM,
OPTICAL ZOOM 36X, F1.5 (WIDE)~F4.0 (TELE), ICR, PRIVACY
MASK FUCTION, HIGH LIGHT
COMPENSATION, WDR/BLC/HLC/AGC/3D-DNR, ZOOM SPEED
APPROXIMATELY 3.5S (OPTICAL LENS, WIDE TO
TELE), COLOR:0.001 LUX @(F1.5,AGC ON); B/W:0.0005LUX
@(F1.5,AGC ON), SHUTTER 1/25S TO 1/100,000S, ANGLE OF
VIEW (D, H, V) 59.0° ~ 2.4° (WIDE~TELE), MOTION
DETECTION / DEFOG FUNCTION, SUPPORTS
VISCA, ONVIF, PELCO PROTOCOL, VIDEO OUT IP, SAPPHIRE
WINDOW

UNCOOLED LWIR SENSOR

UNCOOLED LWIR PIXEL PITCH 12 μm ,
RESOLUTION (PIXELS) 1280x1024,
LENS 13mm, FOV 67° (69.4° x57.3°), PITCH 12 μm ,
SPECTRAL BAND 8-14 μm , FRAME RATE 50 FPS,
SENSITIVITY (NEDT) <50mK at F/1.0,
GERMANIUM WINDOW DLC+AR

CONNECTION INTERFACE

HERMETIC Type C:
D38999/23YE35PN, ETHERNET/RTSP/ONVIF
VIDEO & CONTROL



OZ

PSU (POWER SUPPLY UNIT)

9-36VDC

ENVIRONMENTAL

IP-67, NITROGEN PURGED, HERMETIC SEALED, ALUMINUM CHASSIS
(6061) STAINLESS STEEL SCREWS (N316)

3.5KM LRF (LASER RANGE FINDER)

EYE SAFE CLASS 1, 3.5KM NATO TARGET 30% REFLECTANCE 8KM
VISIBILITY, ACCURACY $\geq 98\%$, DIVERGENCE ANGLE
0.6MERD, ACCURACY $\pm 1\text{M}$, MINIMUM RANGE 15M, SAPPHIRE
WINDOW



OZ SYSTEM SPECIFICATION

PART NUMBERING

OZ -1280-36GS-LRF

SL-[RES]-[ZOOM-DS]-[LRF]

[RES] LWIR RESOLUTION

640 (LWIR 640 x 480, 5.8mm)
1280 (LWIR 1280x1024 , 13mm)

[ZOOM-DS] ZOOM DAY SENSOR

36GS x36 Optical Zoom Global
Shutter

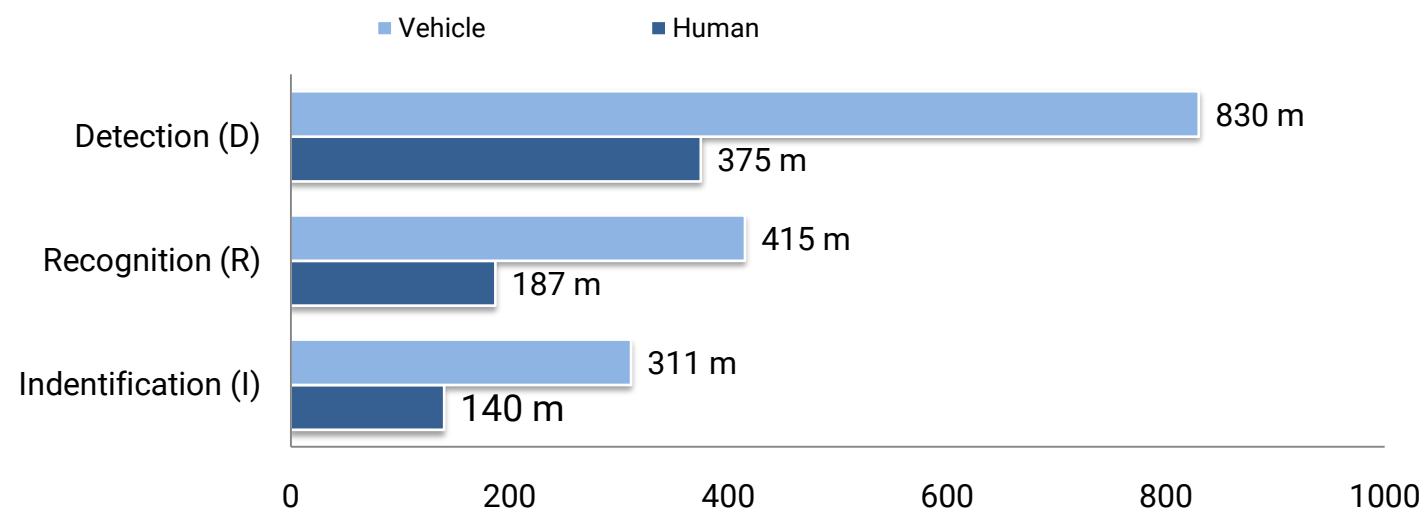
[LRF] LRF

Blank - No LRF
LRF – 3.5 Km NATO target LRF



OZ

OZ DRI LWIR (m)



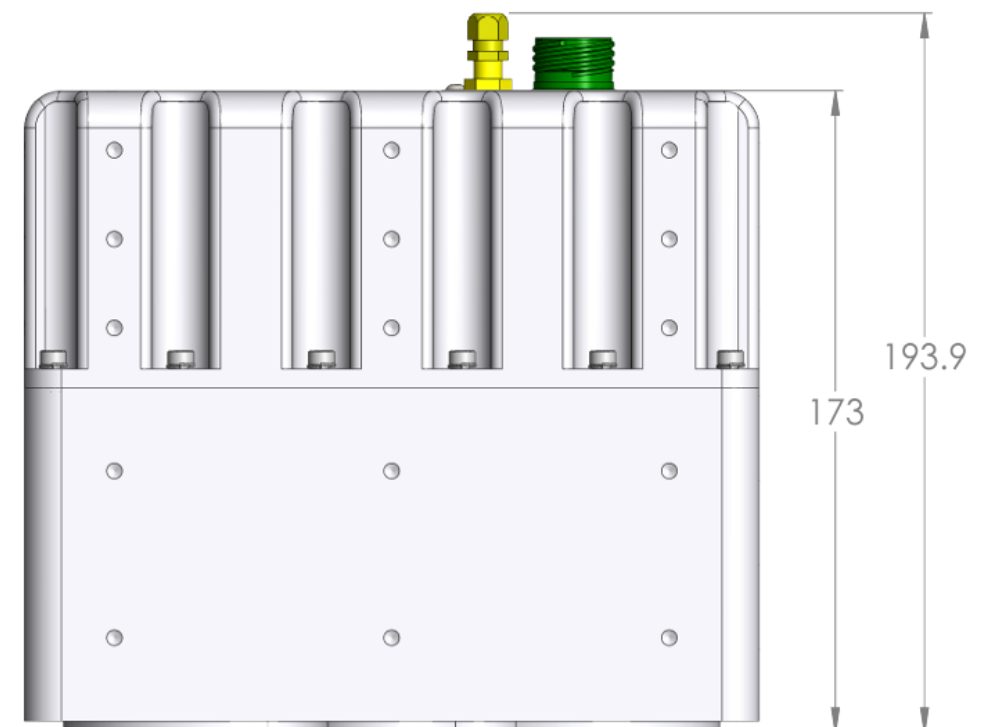
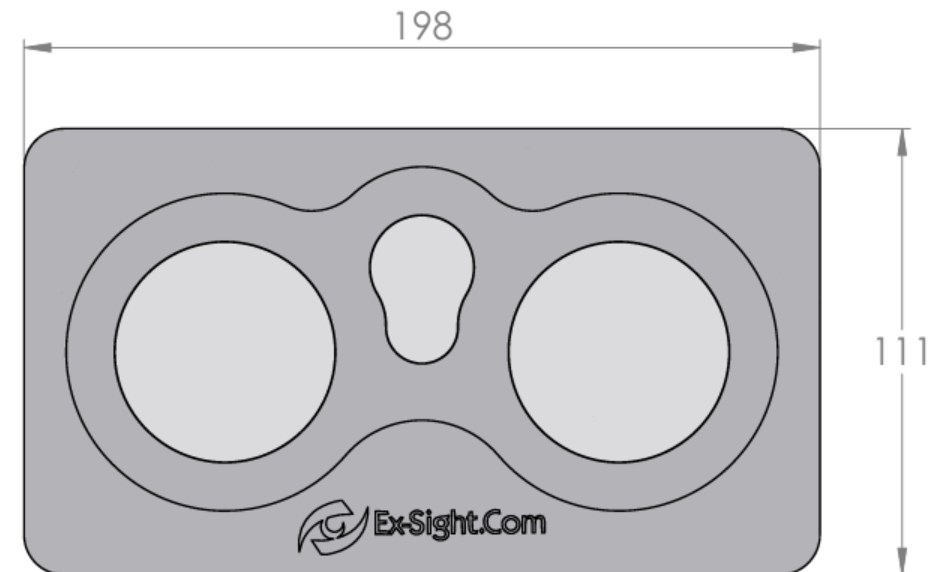
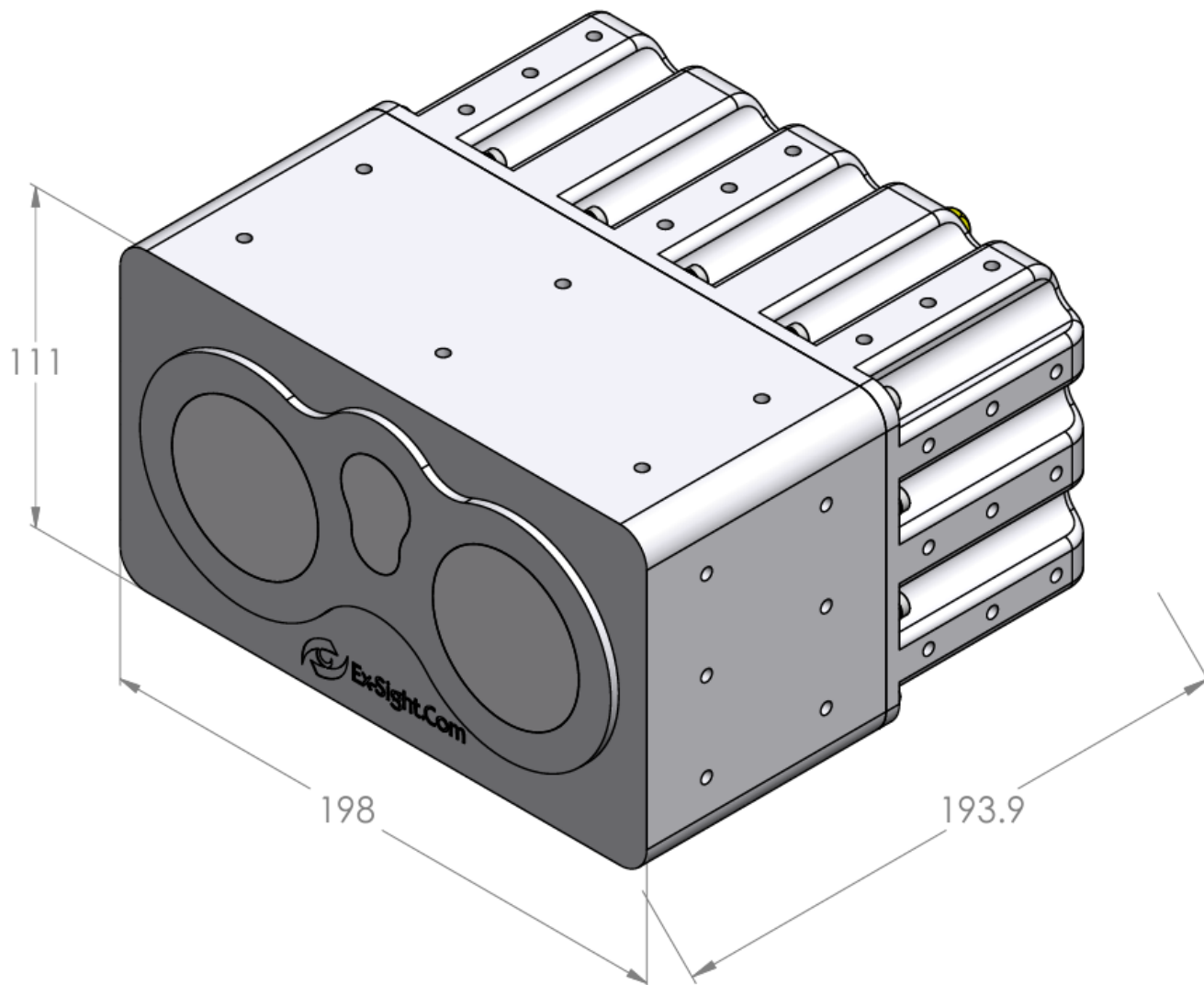
Calculation according to Johnson Criteria

OZ SYSTEM OVERVIEW

DIMENSIONS

LxWxH(mm) 198mm x 193.9mm x 111mm

WEIGHT 4,500 gm



PRODUCT PIN LAYOUT

PANEL Pin Layout
D38999/23YC35PN
Stainless Steel Hermetic Connector



PIN#	DESCRIPTION
1	NC
2	NC
3	(+9 TO +36VDC) INPUT POWER
4	GND INPUT POWER
5	(+9 TO +36VDC) INPUT POWER
6	GND INPUT POWER
7	NC
8	NC
9	ETHERNET2 (1) TX+
10	ETHERNET2 (2) TX-
11	ETHERNET2 (3) RX+
12	ETHERNET2 (6) RX-
13	NC
14	NC
15	ETHERNET1 (1) TX+
16	ETHERNET1 (2) TX-
17	ETHERNET1 (3) RX+
18	ETHERNET1 (6) RX-
19	
20	
21	THERMAL VIDEO CVBS SIGNAL
22	THERMAL VIDEO CVBS GND

PART Numbering Index

#	P/N	DESCRIPTION
1	D38999/23YC35PN	Mil. Std Stainless Steel connector
2	MS51377-2 MS51607-1 MS20813-1	Nitrogen Valve Core Nitrogen MS Valves Nitrogen Fitting

