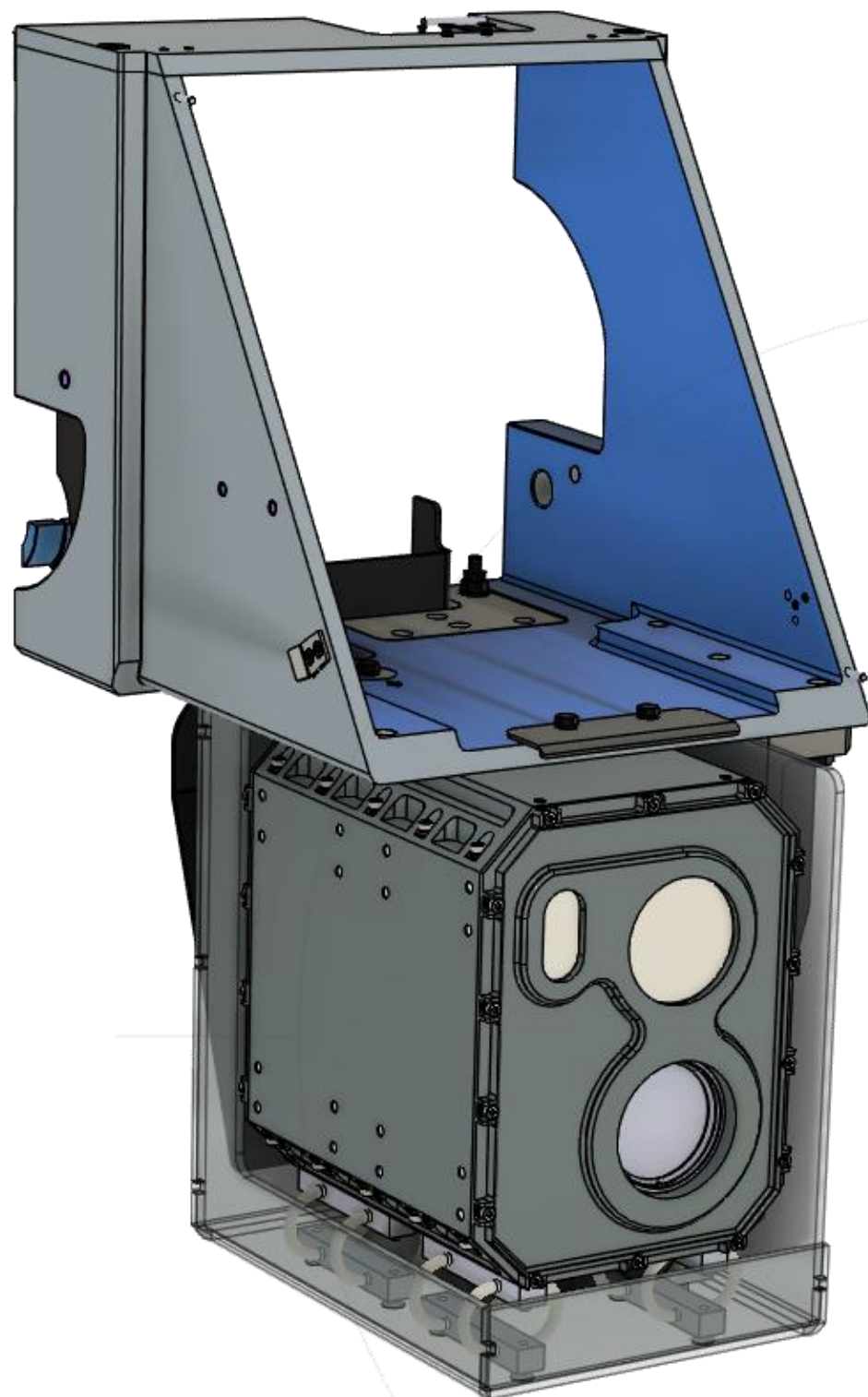


SIGHTMWIR



SIGHT-MWIR is our cutting edge weapon sight which was specially developed for remote control Weapon systems (RCWS).

SIGHT-MWIR allows precise hits due to it's bore-sighted sensors and easy to use auto-tracking capabilities.

SIGHT-MWIR is equipped with high sensitivity Cooled detector, Global shutter x36 zoom FULL-HD day sensor and 8.6Km range Laser Range Finder.

COOLED MWIR WEAPON SIGHT SYSTEM

GLOBAL SHUTTER X36 DAY SENSOR

1/2.3" SONY GLOBAL SHUTTER IMX392LQR-C CMOS SENSOR, FULL-HD 1920x1080p, 6-216mm x36 ZOOM GLOBAL SHUTTER, SAPPHIRE WINDOW H.FOV 52.62° - 1.95°

SPARROW MWIR SENSOR

XBn FPA10μm COOLED 15-250mm x16.6 ZOOM NETD<28mK H.FOV 35.5°- 2.2°, MTBF>18,000 hours, SPECTRAL RESPONSE 3.6 – 4.2 μm, FPA TEMP 150°K

32km LRF (LASER RANGE FINDER)

EYE SAFE 8.6KM NATO TARGET, 0.5-0.01m PRECISION, 0.6MRAD BEAM DIVERGENCE 1m RESOLUTION, <30m TARGET DISCRIMINATION, ALIGNMENT POINTER, SAPPHIRE WINDOW

CONNECTION INTERFACE

HERMETIC Type C: D38999/23YE35PN, 2 x ANALOG VIDEO, RS-422 CONTROL INTERFACE, ETHERNET VIDEO & CONTROL

PSU (POWER SUPPLY UNIT)

18-32VDC 120W Max. MIL.STD1275, MIL.STD704, MIL.STD810G POWER STABILIZER

ENVIRONMENTAL

IP-67, NITROGEN PURGED, HERMETIC SEALED, ALUMINUM CHASSIS (6061) STAINLESS STEEL SCREWS (N316), GROUND PIN CONNECTOR, OPTIONAL SHOCK ABSORBERS

OPEN SOURCE API*

VIDEO CONTROL OPEN SOURCE API, PTZ TRACKING SAMPLE APP (C#.NET)

DIMENSIONS

(LxWxH, mm) 250x190x240mm, WEIGHT 9,000 g



SIGHTMWIR

EMBEDDED VIDEO TRACKER*

DUAL CHANNEL EMBEDDED VIDEO ANALYTICS TRACKER (NON NEURAL NETWORK) PTZ ETHERNET TELEMETRY INTERFACE CONNECTION

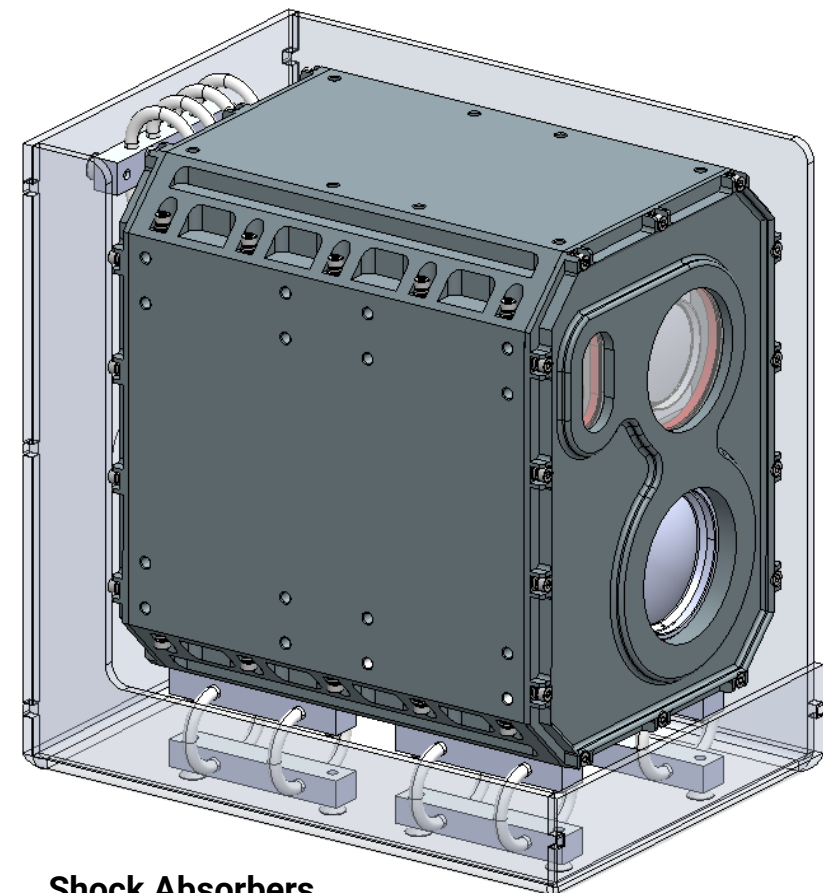
DIGITAL VIDEO STABILIZER*

DUAL CHANNEL DIGITAL VIDEO STABILIZER INCLUDING ROLL CORRECTION

***on digital versions only**

Shock Absorbers

SB8-190-04-A ISOLATOR

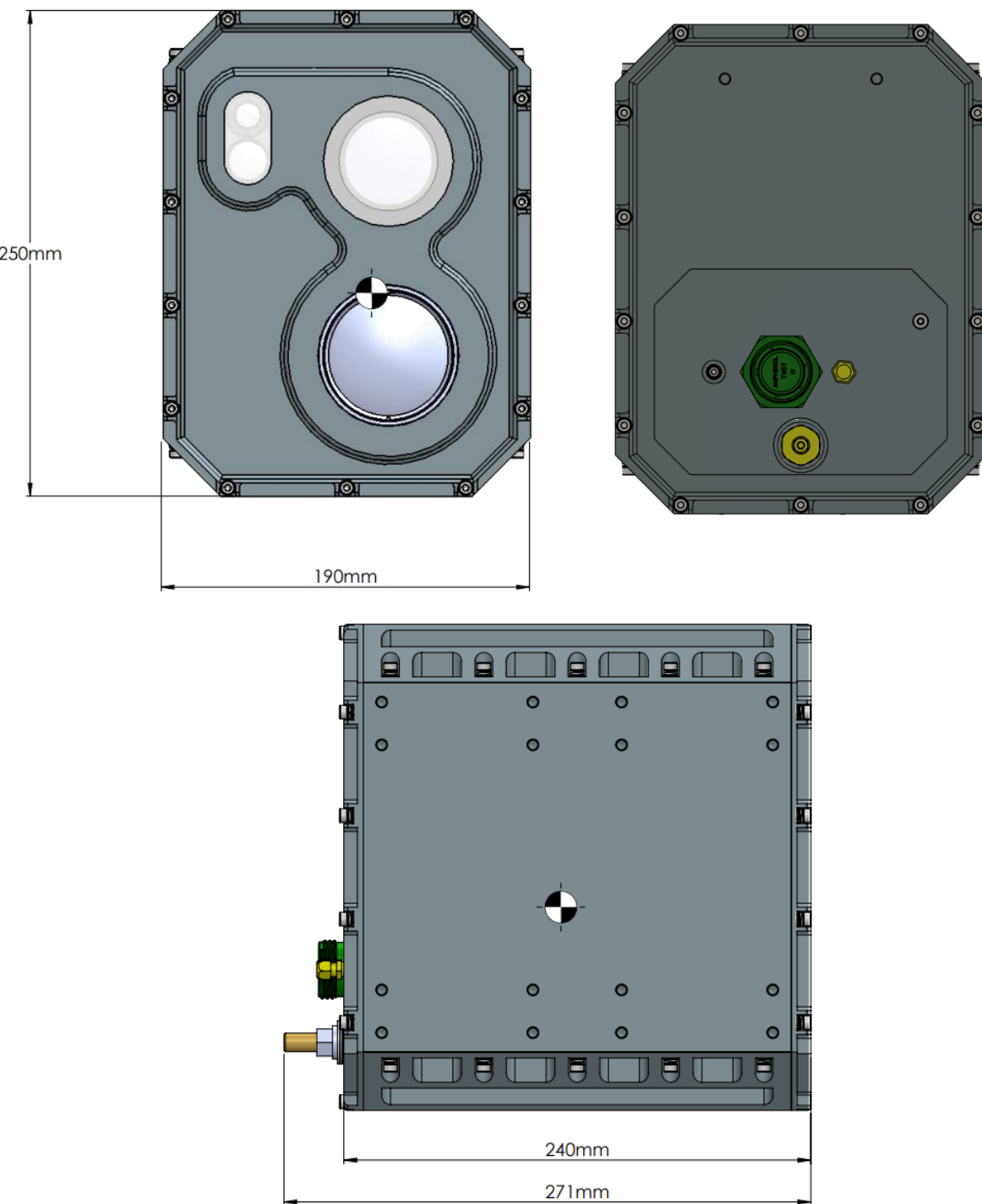


Shock Absorbers

SB8-190-02-A ISOLATOR

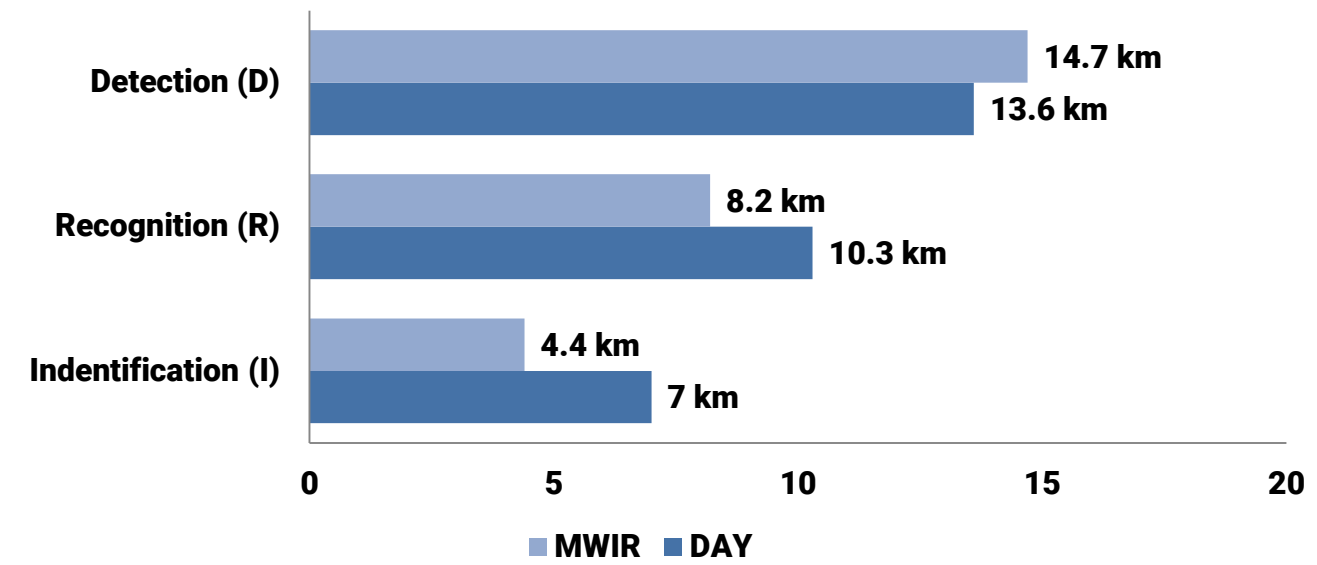
SYSTEM OVERVIEW

DIMENSIONS (mm)



SIGHT MWIR

DRI (Km)



SYSTEM OVERVIEW

PART Numbering Index

#	PART	DESCRIPTION
1	LRF & Window	Laser Range Finder SAPPHIRE Window
2	DAY Sensor & Window	Camera TV With Zoom SAPPHIRE Window
3	MWIR Sensor & Lens	Sparrow MWIR Sensor TEMMEK DOUBON 250 Lens



SIGHTMWIR

PART Numbering Index

#	P/N	DESCRIPTION
1	D38999/23YE35PN	Mil. Std Stainless Steel connector
2	MS3212-25	Nitrogen Screw
3	MS51377-2 MS51607-1 MS20813-1	Nitrogen Valve Core Nitrogen MS Valves Nitrogen Fitting
4	Grounding Kit Grdt 375	Ground Screw

